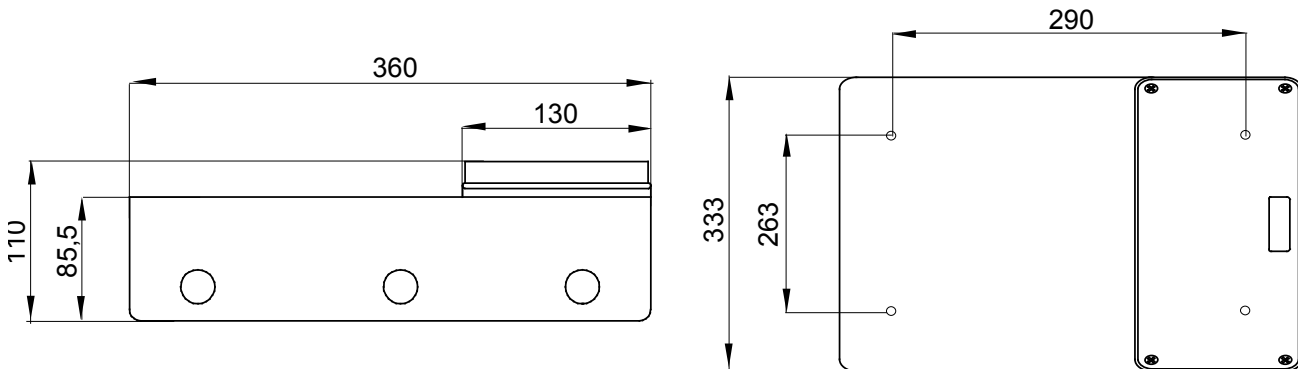




Top entries	5xØ 23	Glow Wire Test	650 °C
Houseable interloc. socket	3	IP degree	IP55
Mechanical resistance	IK08	Side entries	2xØ 23
Houseable IB socket-outlets	16/32 A	Electrocod	2221
Minimum installation temperature	-25°C		

### DIMENSIONAL



### TECHNICAL SYMBOLOGY

**GWT**

650 °C

**IP**

IP55

**IK**

IK08

### STANDARDS/APPROVALS

