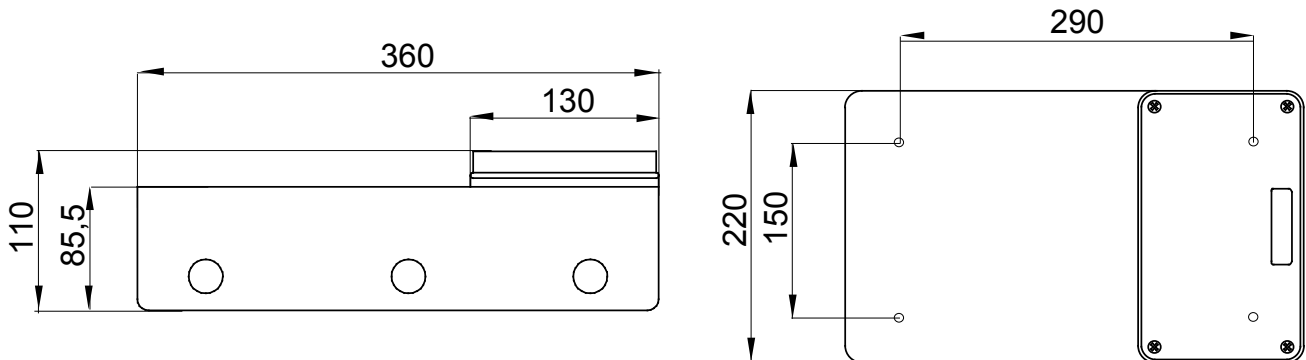




Top entries	4xØ 23	Glow Wire Test	650 °C
Houseable interloc. socket	2	IP degree	IP55
Mechanical resistance	IK08	Side entries	4xØ 23
Bottom entries	1xØ 29	Houseable IB socket-outlets	16/32 A
Electrocod	2221	Minimum installation temperature	-25°C

### DIMENSIONAL



### TECHNICAL SYMBOLOGY

**GWT**      **IP**      **IK**

650 °C

IP55

IK08

### STANDARDS/APPROVALS

