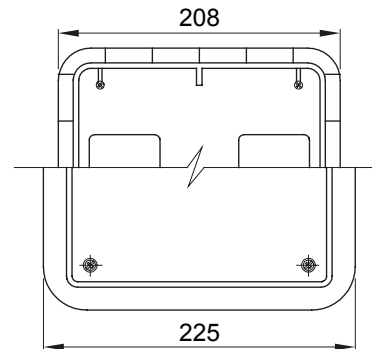
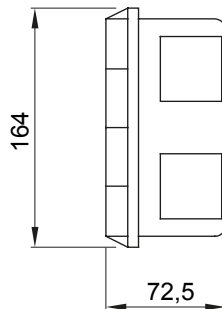
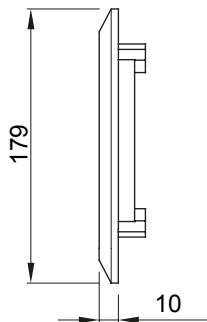


For walls	Brickwall	Glow Wire Test	650 °C
Houseable interloc. socket	1	IP degree	IP44
Mechanical resistance	IK08	Houseable IB socket-outlets	16/32 A
For socket-outlets	CBF horizontal	Electrocod	2220
Drilling bottom	Through multidiameter cutter	Minimum installation temperature	-15°C

DIMENSIONAL



TECHNICAL SYMBOLOGY

IP

IP44

IK

IK08

650 °C

STANDARDS/APPROVALS