



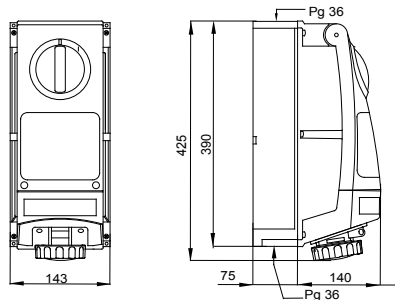
A product range comprising industrial-type socket-outlets conforming to IEC 60309 Standard, with rotary switch mechanical interlock for individual or group applications on modular bases. The robustness of the products and their resistance to the main chemical and atmospheric agents, together with the high IP66 degree of protection, mean they can be installed in tough environments with critical atmospheric, chemical and mechanical (accidental impact) conditions.

| | | | |
|-----------------------------|------------|---------------------------|-------------|
| Type | Vertical | Thermo-pressure with ball | 80 °C |
| Impact resistance at -20 °C | 20 J | IP degree | IP66 |
| No. of poles | 2P+E | Mechanical resistance | > IK10 |
| Frequency | 50/60 Hz | Operating temperature | -25 +40 °C |
| Protection | NO (SBF) | With back-mounting box | Yes |
| Electrocod | 2222 | Glow wire test | 850 °C |
| Colour | Red | Rated current (A) | 63 |
| Reference h | 9 | Rated voltage | 380 - 415 V |
| Type of use | Heavy duty | | |

BEHAVIOUR WITH CHEMICAL AND ATMOSPHERIC AGENTS

| Saline solution | Acids | | Bases | | Solvents | | | | Mineral oil | UV rays |
|-----------------|---------------|--------------------|---------------|--------------------|-----------|-----------|--------------------|-----------|-------------|-----------|
| | Concentrated | Diluted | Concentrated | Diluted | Hexane | Benzol | Acetone | Alcohol | | |
| Resistant | Not resistant | Limited resistance | Not resistant | Limited resistance | Resistant | Resistant | Limited resistance | Resistant | Resistant | Resistant |

DIMENSIONAL



TECHNICAL SYMBOLOGY



80 °C

IP

IP66

IK

> IK10

GWT

850 °C

-25 +40 °C

STANDARDS/APPROVALS



GEWISS S.p.A. Via A. Volta, 1
24069 Cenate Sotto - Bergamo - Italy
tel. +39 035 94 61 11 fax +39 035 94 69 09
Company subject to the management and
coordination of Polifin S.p.A.

www.gewiss.com
sat@gewiss.com
Last update 06/05/2026

Data, measures, designs and pictures are shown
only as informative purposes,
and could be changed without previous notice