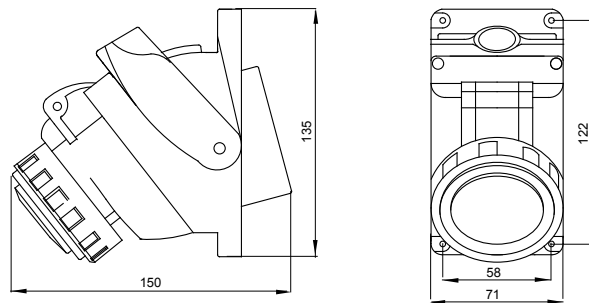


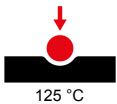
Compact industrial socket-outlets complying with the IEC 60309 Standard (EN 60309-1 EN 60309-4), with more simple and intuitive longitudinal operation of the mechanical interlock. The control switch allows the plug to be connected and disconnected only in the open position, and the switch to close only with the plug inserted. The range of socket-outlets with interlock switch is combined with a complete range of accessories for individual or group surface-mounting, and for flushmounting (also possible on 3 gang rectangular boxes).

Type	Compact	Thermo-pressure with ball	125 °C	
IP degree	IP55	No. of poles	2P+E	
Mechanical resistance	IK08	Frequency	50/60 Hz	
Operating temperature	-25 +40 °C	Protection	NO (SBF)	
With back-mounting box	No	Electrocod	2221	
Glow wire test	850 °C (active parts) - 650 °C (passive parts)		Colour	Red
Rated current (A)	16	Reference h	9	
Rated voltage	380 - 415 V			

DIMENSIONAL



TECHNICAL SYMBOLOGY



IP

IP55

IK

IK08

GWT

-25 +40 °C
850 °C (active parts)
- 650 °C (passive parts)

STANDARDS/APPROVALS

