



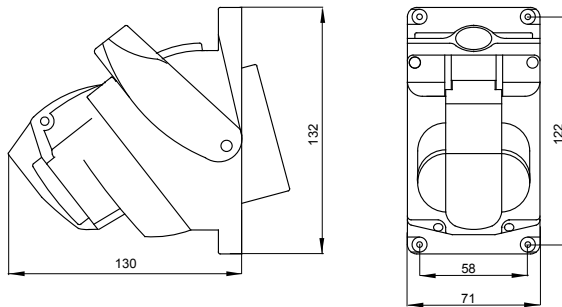
Compact industrial socket-outlets complying with the IEC 60309 Standard (EN 60309-1 EN 60309-4), with more simple and intuitive longitudinal operation of the mechanical interlock. The control switch allows the plug to be connected and disconnected only in the open position, and the switch to close only with the plug inserted. The range of socket-outlets with interlock switch is combined with a complete range of accessories for individual or group surface-mounting, and for flushmounting (also possible on 3 gang rectangular boxes).

|                        |  |                           |          |
|------------------------|--|---------------------------|----------|
| Type                   | Compact  | Thermo-pressure with ball | 125 °C   |
| IP degree              | IP44   | No. of poles              | 3P+E     |
| Mechanical resistance  | IK08   | Frequency                 | 50/60 Hz |
| Operating temperature  | -25 +40 °C                                     | Protection                | NO (SBF) |
| With back-mounting box | No   | Electrocod                | 2220     |
| Glow wire test         | 850 °C (active parts) - 650 °C (passive parts) | Colour                    | Blue     |
| Rated current (A)      | 16   | Reference h               | 9        |
| Rated voltage          | 200 - 250 V                                    |                           |          |

#### BEHAVIOUR WITH CHEMICAL AND ATMOSPHERIC AGENTS

| Saline solution    | Acids         |                    | Bases              |           | Solvents  |           |           |           | Mineral oil | UV rays   |
|--------------------|---------------|--------------------|--------------------|-----------|-----------|-----------|-----------|-----------|-------------|-----------|
|                    | Concentrated  | Diluted            | Concentrated       | Diluted   | Hexane    | Benzol    | Acetone   | Alcohol   |             |           |
| Limited resistance | Not resistant | Limited resistance | Limited resistance | Resistant | Resistant | Resistant | Resistant | Resistant | Resistant   | Resistant |

#### DIMENSIONAL



#### TECHNICAL SYMBOLOGY



**IP**  
IP44

**IK**  
IK08



**GWT**

850 °C (active parts)  
- 650 °C (passive parts)

#### STANDARDS/APPROVALS



GEWISS S.p.A. Via A. Volta, 1  
24069 Cenate Sotto - Bergamo - Italy  
tel. +39 035 94 61 11 fax +39 035 94 69 09  
Company subject to the management and  
coordination of Polifin S.p.A.

www.gewiss.com  
sat@gewiss.com  
Last update 06/05/2026

Data, measures, designs and pictures are shown  
only as informative purposes,  
and could be changed without previous notice