



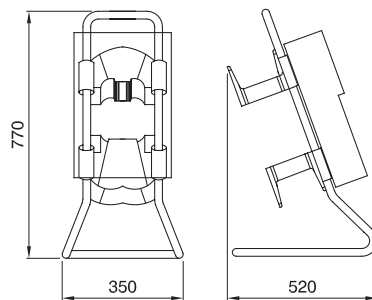
Mobile, transportable terminal boards Type COMBIBLOC are especially suitable for powering mobile tools and equipment. Each board comes with COMBIBLOC interlocked socket-outlets and floor mounting support to make extremely easy to move the board around the construction site.

|                               |                  |                               |                               |
|-------------------------------|------------------|-------------------------------|-------------------------------|
| Type                          | COMBIBLOC ACS    | board type                    | Wired                         |
| Outer dim. LxHxD (mm)         | 320x360x95       | Weight (kg)                   | 11                            |
| Accordance with Standards     | EN 61439-4 (ACS) | Characteristics               | UV resistance (EN 62208)      |
| IP degree                     | IP55             | Mechanical resistance         | IK08                          |
| Glow wire test                | 650 °C           | Thermo-pressure with ball     | 80 °C                         |
| Insulation class              | II               | Power supply                  | Mobile plug                   |
| No. of poles                  | 3P+N+E           | MCB'S MT main RCCB            | RCCB 40 A 4P 0,03 A - AC type |
| Circuits protection           | MCB              | Socket-outlet 2P+E 16A - IB   | 1                             |
| Socket-outlet 3P+N+E 16A - IB | 1                | Socket-outlet 3P+N+E 32A - IB | 1                             |
| Cable length                  | 5 m              | Accessories supplied          | Floor mounting support        |

#### BEHAVIOUR WITH CHEMICAL AND ATMOSPHERIC AGENTS

| Saline solution    | Acids         |                    | Bases              |           | Solvents  |           |           |           | Mineral oil | UV rays   |
|--------------------|---------------|--------------------|--------------------|-----------|-----------|-----------|-----------|-----------|-------------|-----------|
|                    | Concentrated  | Diluted            | Concentrated       | Diluted   | Hexane    | Benzol    | Acetone   | Alcohol   |             |           |
| Limited resistance | Not resistant | Limited resistance | Limited resistance | Resistant | Resistant | Resistant | Resistant | Resistant | Resistant   | Resistant |

#### DIMENSIONAL



#### TECHNICAL SYMBOLOGY



EN 61439-4 (ACS)



UV resistance (EN 62208)

**IP**

IP55

**IK**

IK08

**GWT**

650 °C



80 °C



II

#### STANDARDS/APPROVALS



GEWISS S.p.A. Via A. Volta, 1  
24069 Cenate Sotto - Bergamo - Italy  
tel. +39 035 94 61 11 fax +39 035 94 69 09  
Company subject to the management and  
coordination of Polifin S.p.A.

www.gewiss.com  
sat@gewiss.com  
Last update 04/05/2026

Data, measures, designs and pictures are shown  
only as informative purposes,  
and could be changed without previous notice