



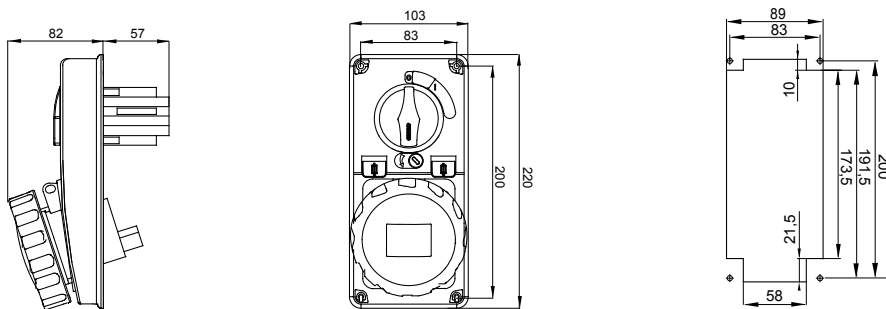
Industrial-type socket-outlets conforming to IEC 309 Standard, with mechanical interlock consisting of a circuit breaker enabling the plug to be connected and disconnected only in the open position, and the switch to close only with the plug inserted. Wide range including models with rotary switch and fuseholder base, AUTOMATIKA with 6kA C characteristic miniature circuit breaker, and version with safety transformer. High application versatility thanks to the possibility of assembly in back-mounting and flush-mounting boxes, and boards of the 68 Q-DIN and Q-MC ranges.

|  |                        |                                     |             |
|--|------------------------|-------------------------------------|-------------|
| Type of fuse                           | Ø 10.3x38 mm           | Type                                | Vertical    |
| Fuse breaking capacity                 | > 50 kA                | Thermo-pressure with ball           | 125 °C      |
| Rated insulation voltage (Ui)          | 500 V                  | IP degree                           | IP67        |
| No. of poles                           | 3P+N+E                 | Mechanical resistance               | IK08        |
| Frequency                              | 50/60 Hz               | Operating temperature               | -25 +40 °C  |
| Protection                             | Fuse-holder base (CBF) | With back-mounting box              | No          |
| Electrocod                             | 2222                   | Glow wire test                      | 850 °C      |
| Colour                                 | Yellow                 | Breaking capacity (Icc)             | 10 kA       |
| Weight                                 | Max. 0.9 Kg            | IB socket outlet rated current (In) | 27 A        |
| Rated impulse withstand voltage (Uimp) | 4 kV                   | Rated current (A)                   | 32          |
| Reference h                            | 4                      | Rated voltage                       | 100 - 130 V |

#### BEHAVIOUR WITH CHEMICAL AND ATMOSPHERIC AGENTS

| Saline solution | Acids         |                    | Bases              |                    | Solvents           |               |               |                    | Mineral oil        | UV rays   |
|-----------------|---------------|--------------------|--------------------|--------------------|--------------------|---------------|---------------|--------------------|--------------------|-----------|
|                 | Concentrated  | Diluted            | Concentrated       | Diluted            | Hexane             | Benzol        | Acetone       | Alcohol            |                    |           |
| Resistant       | Not resistant | Limited resistance | Limited resistance | Limited resistance | Limited resistance | Not resistant | Not resistant | Limited resistance | Limited resistance | Resistant |

#### DIMENSIONAL



#### TECHNICAL SYMBOLOGY



IP

IP67

IK

IK08



GWT

850 °C

#### STANDARDS/APPROVALS



GEWISS S.p.A. Via A. Volta, 1  
24069 Cenate Sotto - Bergamo - Italy  
tel. +39 035 94 61 11 fax +39 035 94 69 09  
Company subject to the management and coordination of Polifin S.p.A.

www.gewiss.com  
sat@gewiss.com  
Last update 04/05/2026

Data, measures, designs and pictures are shown only as informative purposes, and could be changed without previous notice