



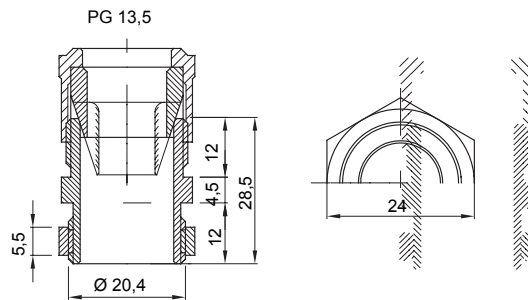
Systems of accessories for electrical installations used for residential, tertiary and industrial applications. The system consists of fasteners for pipes and cables, cable fittings, accessories for rigid pipes (RK Series) and flexible conduit (DF Series). The system include also a wide variety of cable ties (52FS Range) and terminal blocks (44 Range).

|                |               |                       |                                 |
|----------------|---------------|-----------------------|---------------------------------|
| Colour         | Grey RAL 7035 | IP degree             | IP66                            |
| Material       | Nylon         | For cables Ø (mm)     | from 9 to 12.5                  |
| PG pitch       | 13.5          | Mounting hole Ø (mm)  | 20                              |
| Description    | Cable gland   | Type of pitch         | PG13.5                          |
| Glow Wire Test | 650 °C        | Operating temperature | -25 +65 °C                      |
| Electrocod     | 36B           | Standard              | EN 50262 - IEC62444 - DIN 40430 |

#### BEHAVIOUR WITH CHEMICAL AND ATMOSPHERIC AGENTS

| Saline solution | Acids              |                    | Bases        |           | Solvents  |           |           |               | Mineral oil | UV rays            |
|-----------------|--------------------|--------------------|--------------|-----------|-----------|-----------|-----------|---------------|-------------|--------------------|
|                 | Concentrated       | Diluted            | Concentrated | Diluted   | Hexane    | Benzol    | Acetone   | Ethyl alcohol |             |                    |
| Resistant       | Limited resistance | Limited resistance | Resistant    | Resistant | Resistant | Resistant | Resistant | Resistant     | Resistant   | Limited resistance |

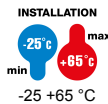
#### DIMENSIONAL



#### TECHNICAL SYMBOLOGY

IP

IP66



-25 +65 °C

650 °C

#### STANDARDS/APPROVALS

GEWISS S.p.A. Via A. Volta, 1  
24069 Cenate Sotto - Bergamo - Italy  
tel. +39 035 94 61 11 fax +39 035 94 69 09  
Company subject to the management and coordination of Polifin S.p.A.

www.gewiss.com  
sat@gewiss.com  
Last update 01/05/2026

Data, measures, designs and pictures are shown only as informative purposes, and could be changed without previous notice