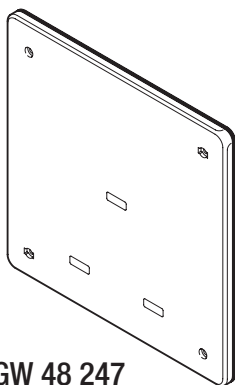
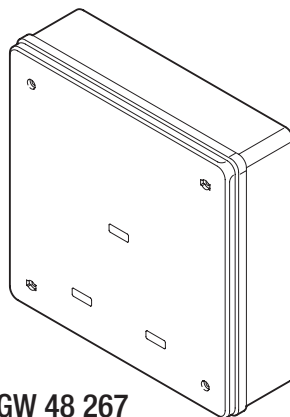


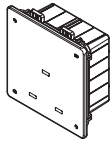
GW 48 207 PM
GW 48 211 PM



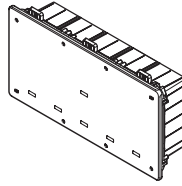
GW 48 247
GW 48 251



GW 48 267
GW 48 271

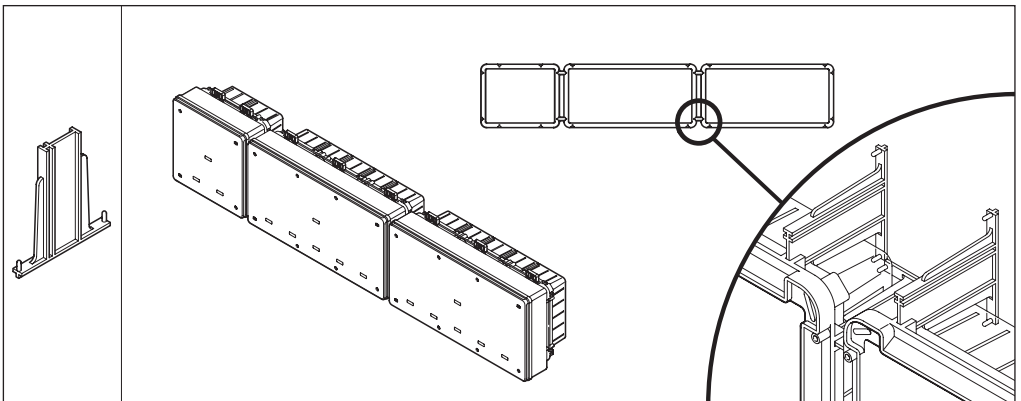
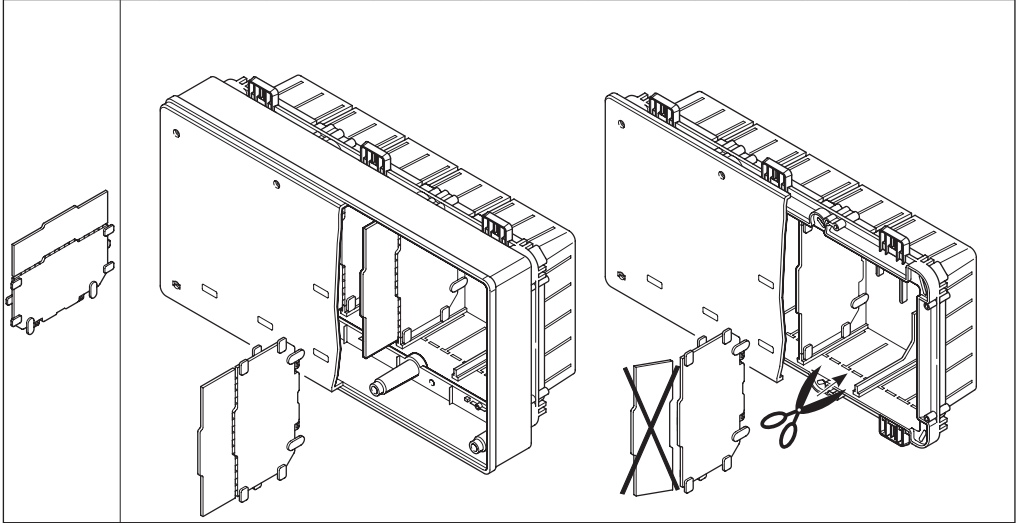


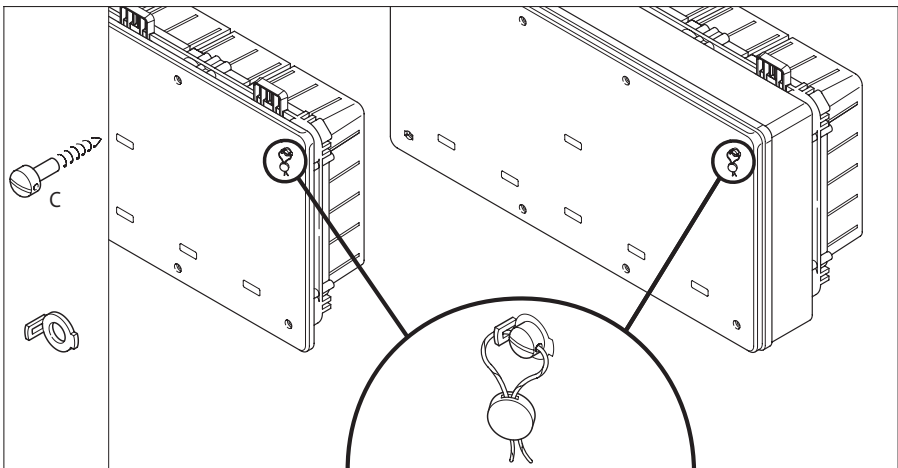
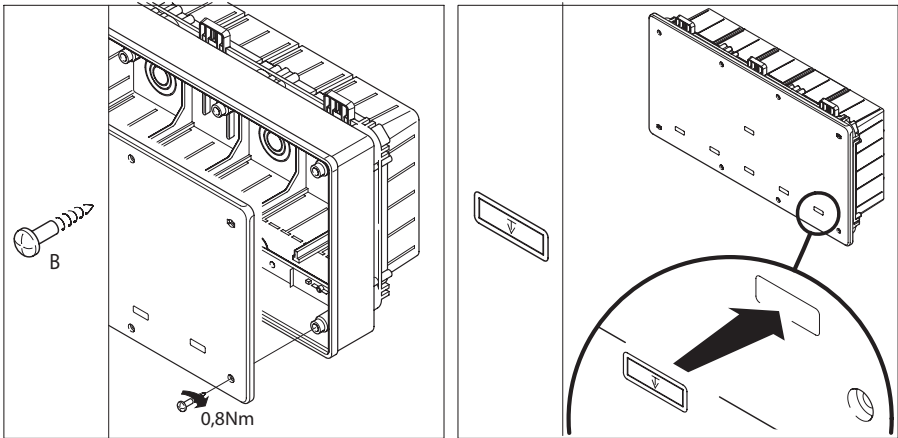
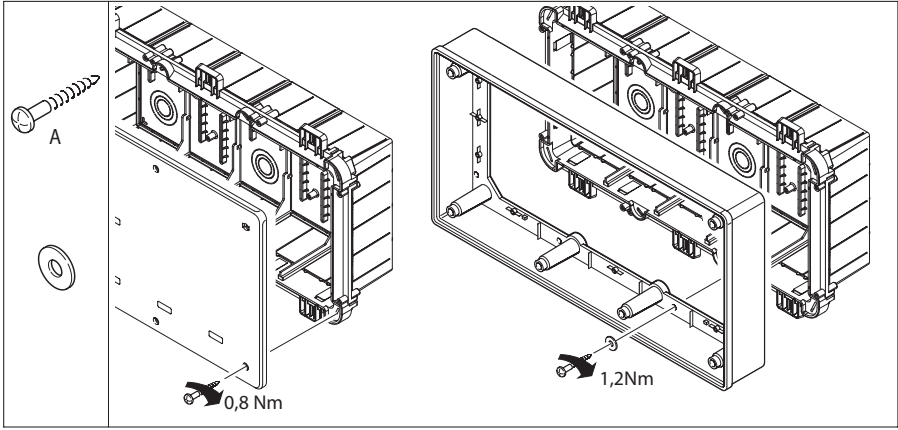
GW 48 207 PM

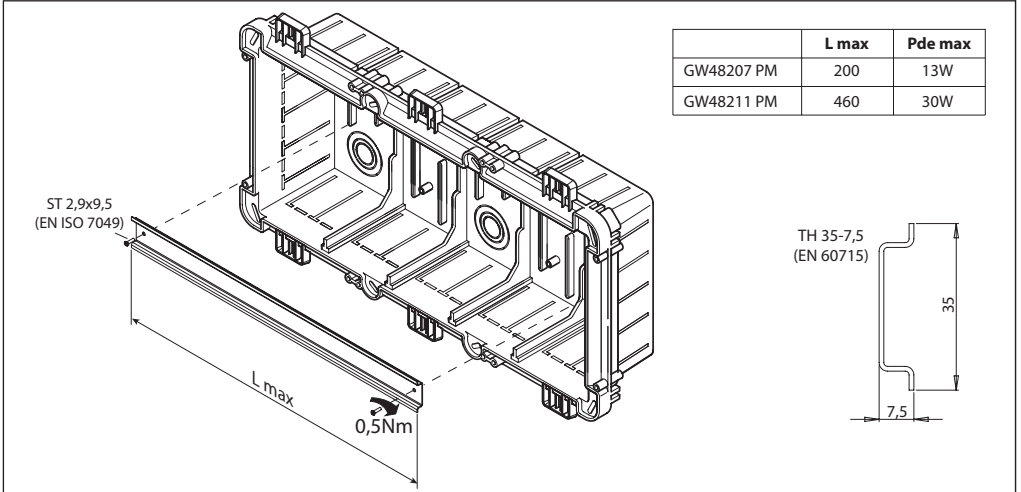


GW 48 211 PM

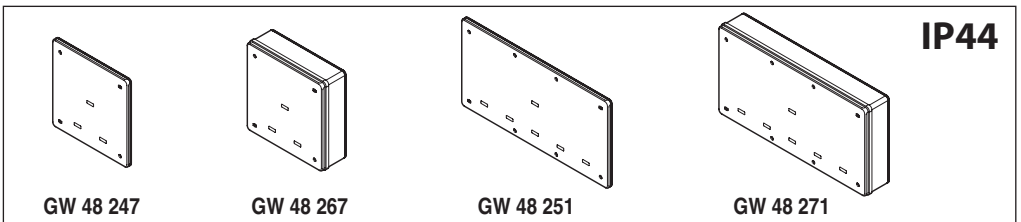
GW 48 207 PM	1	2	4	—	—	2	2	6
GW 48 211 PM	4	2	8	—	—	2	2	6








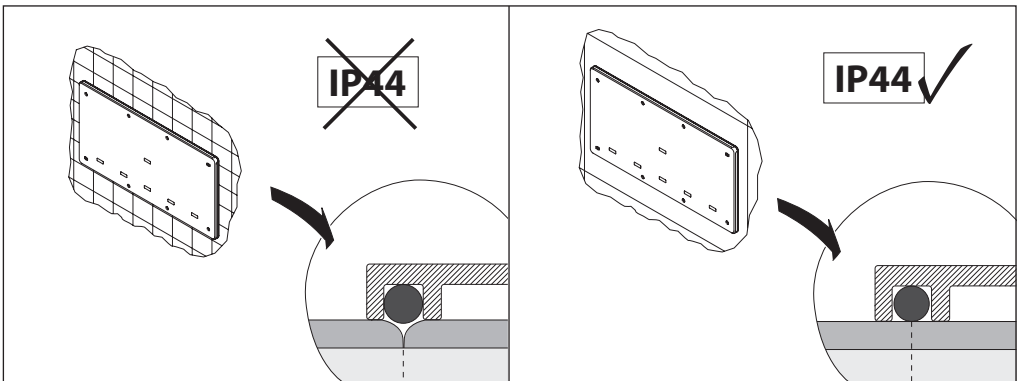


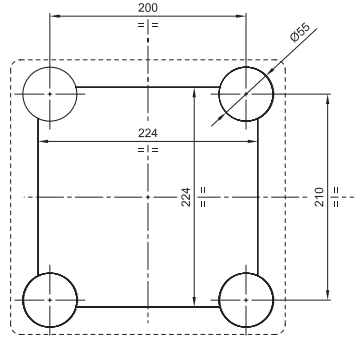


	L max	Pde max
GW48207 PM	200	13W
GW48211 PM	460	30W

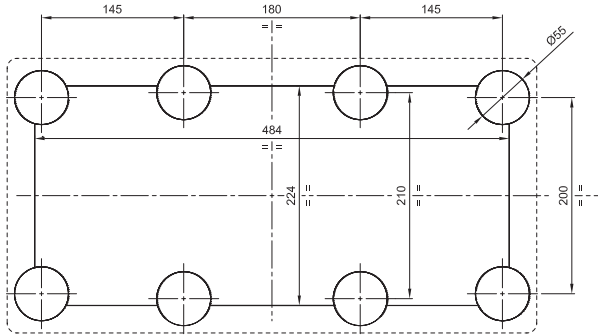


					
	B		C		
GW 48 247	—	—	2	2	6
GW 48 267	2	4	2	2	6
GW 48 251	—	—	2	2	6
GW 48 271	6	8	2	2	6

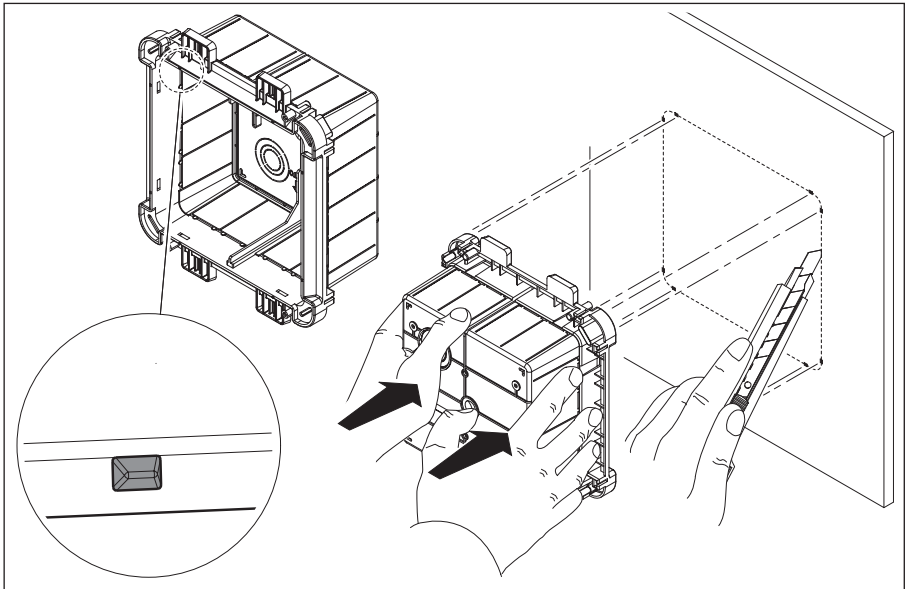


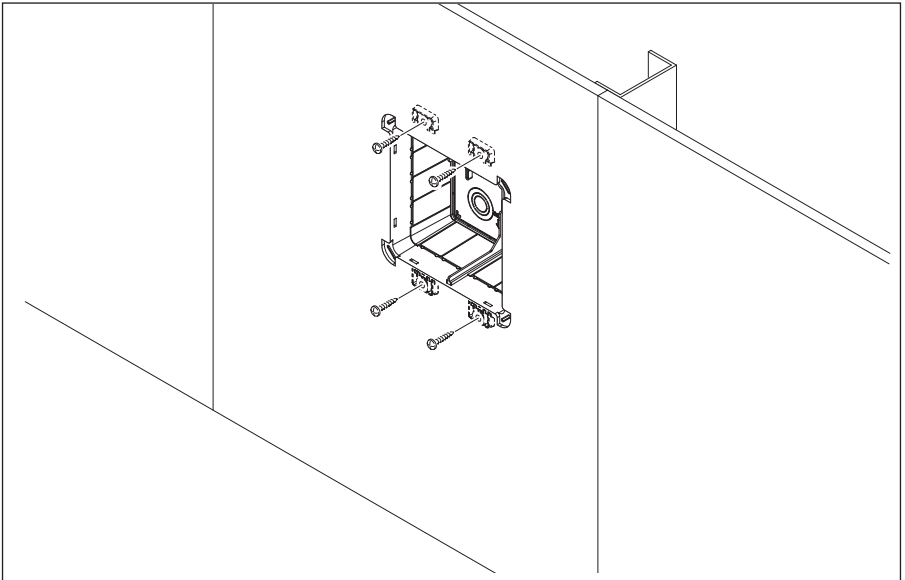
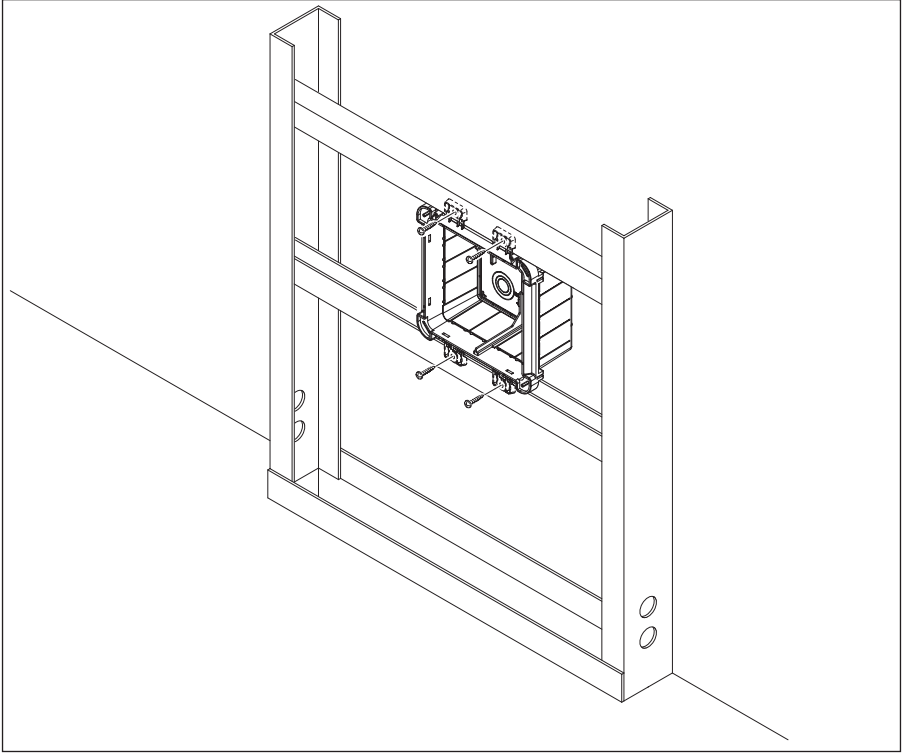


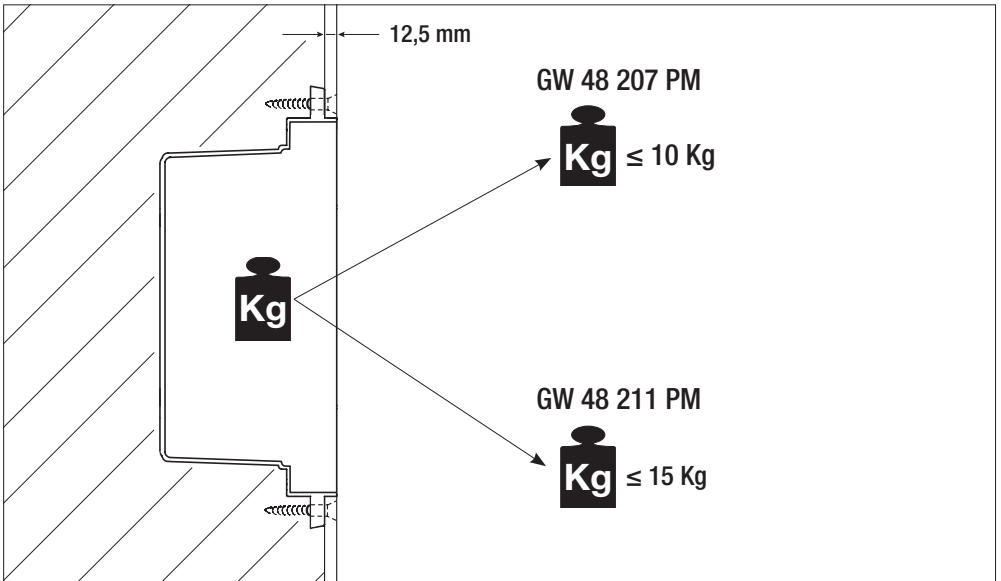
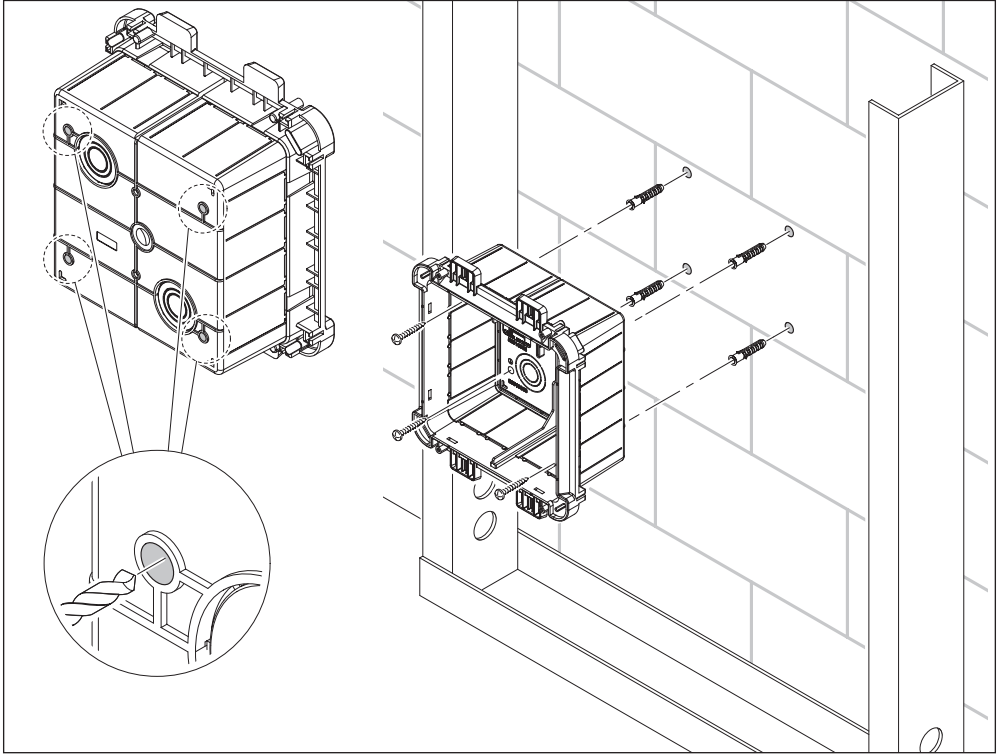
GW 48 207 PM



GW 48 211 PM



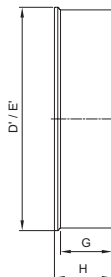
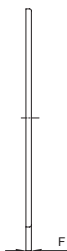
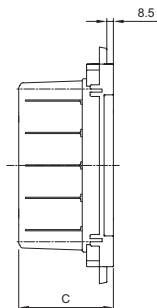
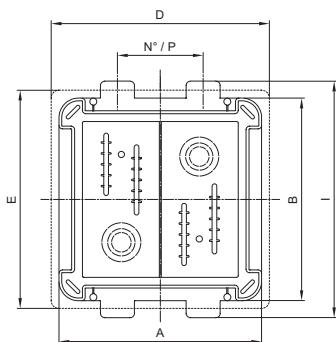






	A	B	C	I	N°/P
GW 48 207 PM	260	260	121,5	303,5	1/110
GW 48 211 PM	520	260	121,5	303,5	2/193

	D	E	F
GW 48 247	280	280	7
GW 48 251	540	280	7



	D'	E'	G	H
GW 48 267	286	286	67	74
GW 48 271	547	286	67	74

Punto di contatto indicato in adempimento ai fini delle direttive e regolamenti UE applicabili:
 Contact details according to the relevant European Directives and Regulations:
 GEWISS S.p.A. Via D.Bosatelli, 1 IT-24069 Cenate Sotto (BG) Italy tel: +39 035 946 111 E-mail: qualitymarks@gewiss.com

According to applicable UK regulations, the company responsible for placing the goods in UK market is:
 GEWISS UK LTD - Unity House, Compass Point Business Park, 9 Stocks Bridge Way, ST IVES
 Cambridgeshire, PE27 5JL, United Kingdom tel: +44 1954 712757 E-mail: gewiss-uk@gewiss.com



+39 035 946 111

8:30 - 12:30 / 14:00 - 18:00
 lunedì - venerdì / monday - friday



www.gewiss.com

