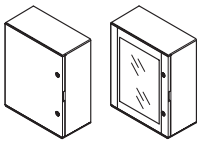
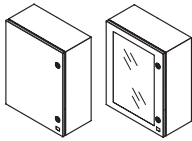
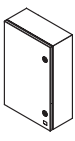


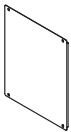


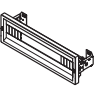
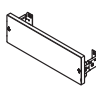
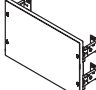
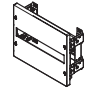
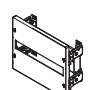
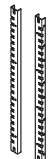


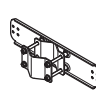
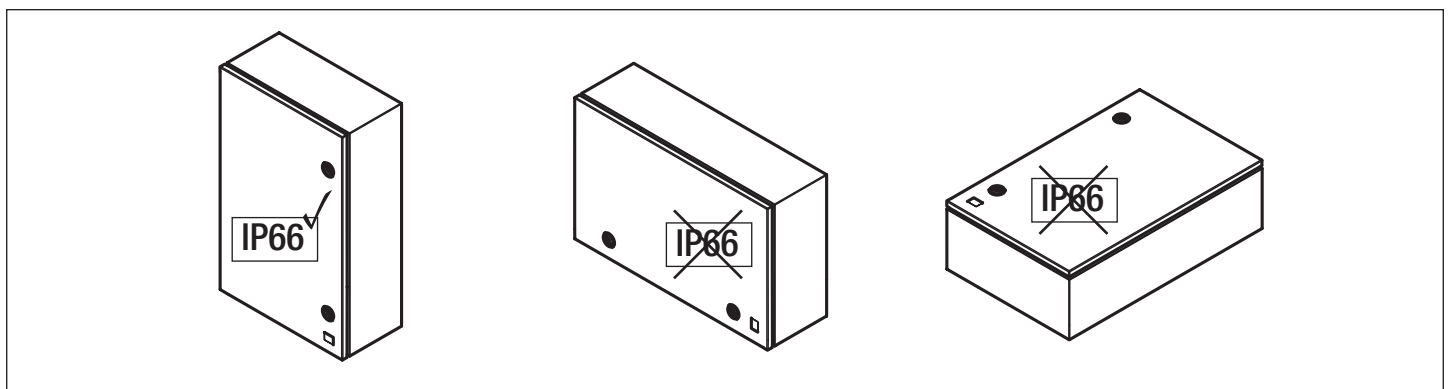


46 QP



	 QP-IP66	 QM-IP55	 QX-IP55	 Fe	 UP			
300x250x160	GW 46 001F GW 46 201F	GW 46 031				GW 46 401	GW 46 408	GW 46 461
425x310x160 36M	GW 46 002F GW 46 202F	GW 46 032 GW 46 232	GW 46 052	GW 46 564	GW 46 414	GW 46 402	GW 46 409	GW 46 462
500x405x200 54M	GW 46 003F GW 46 203F	GW 46 033 GW 46 233		GW 46 565	GW 46 415	GW 46 403	GW 46 410	GW 46 463
650x405x200 72M	GW 46 004F GW 46 204F	GW 46 034 GW 46 234	GW 46 054	GW 46 566	GW 46 416	GW 46 404	GW 46 411	GW 46 464
650x515x250 96M	GW 46 005F GW 46 205F	GW 46 035 GW 46 235		GW 46 567	GW 46 417	GW 46 405	GW 46 412	GW 46 465
800x585x300 140M	GW 46 006F GW 46 206F	GW 46 036 GW 46 236	GW 46 056	GW 46 568	GW 46 418	GW 46 406	GW 46 413	GW 46 466
1060x800x350 180M	GW 46 007F GW 46 207F	GW 46 037 GW 46 237		GW 46 569	GW 46 419	GW 46 407		GW 46 467

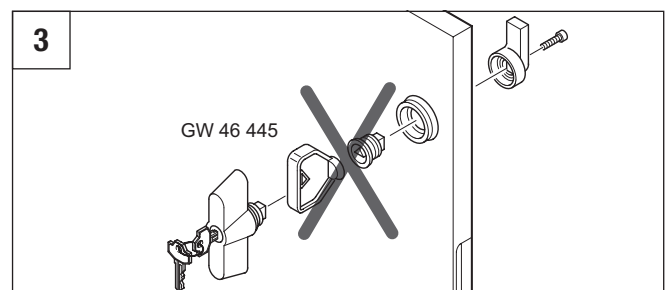
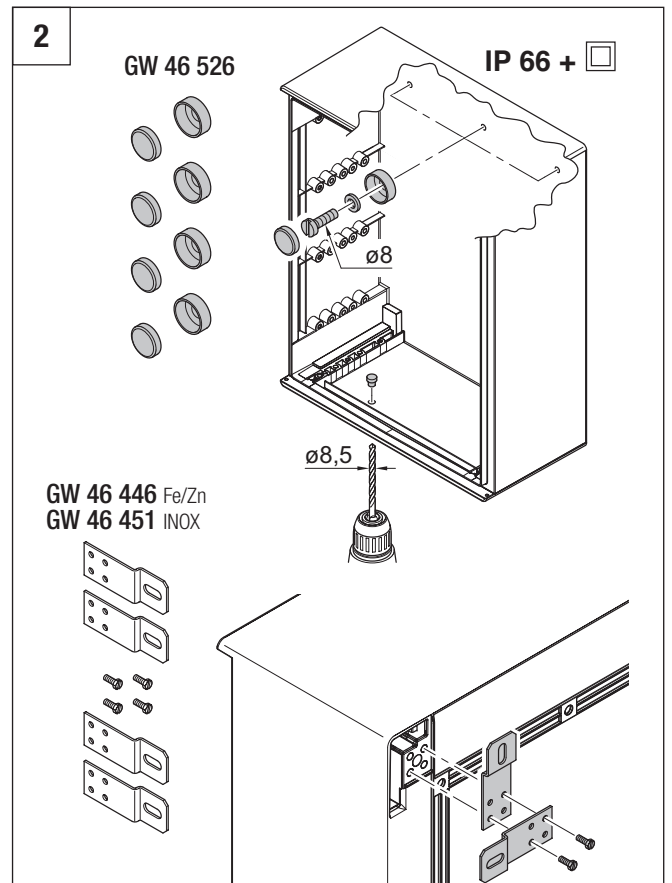
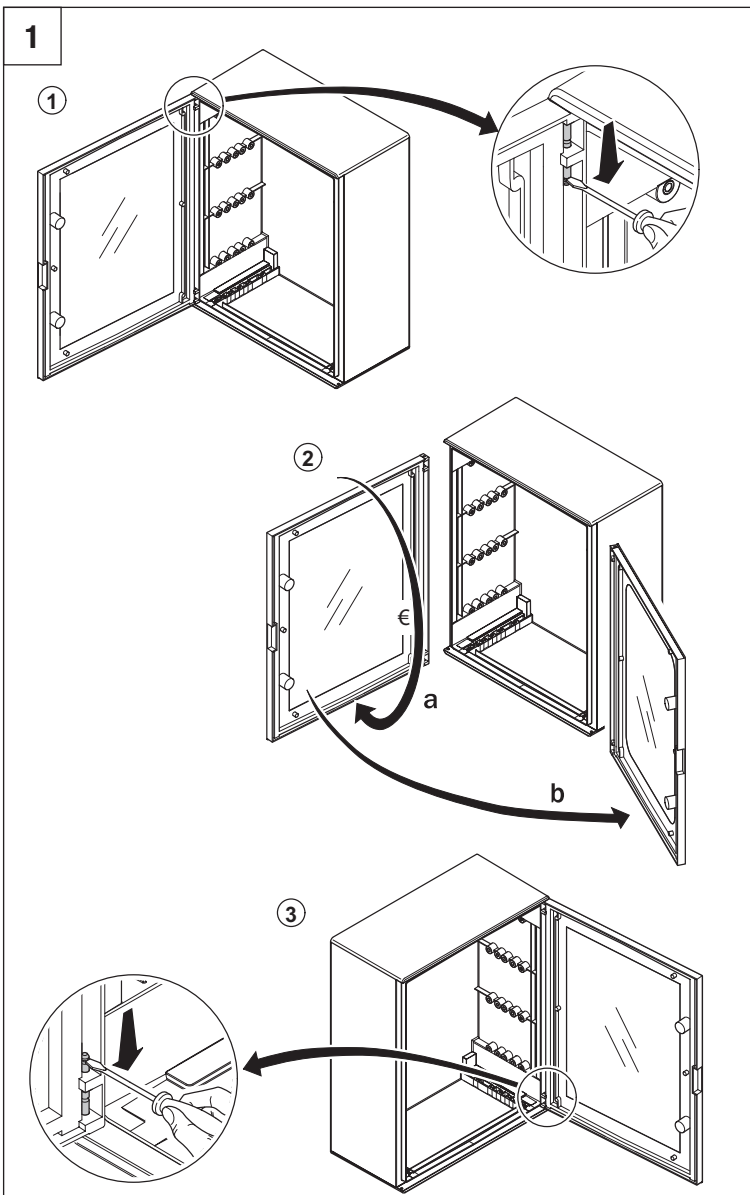
									
300x250x160									GW 46 551
425x310x160 36M	GW 46 420F	GW 46 425F	GW 46 475F			GW 46 435F	GW 46 530F	GW 46 430F	GW 46 552
500x405x200 54M	GW 46 421F	GW 46 426F	GW 46 476F	GW 46 570F		GW 46 436F	GW 46 531F	GE 46 431F	GW 46 553
650x405x200 72M	GW 46 421F	GW 46 426F	GW 46 476F	GW 46 570F		GW 46 437F	GW 46 531F	GW 46 431F	GW 46 553
650x515x250 96M	GW 46 422F	GW 46 427F	GW 46 477F	GW 46 571F	GW 46 577F	GW 46 437F	GW 46 532F	GW 46 432F	GW 46 554
800x585x300 140M	GW 46 423F	GW 46 428F	GW 46 478F	GW 46 572F	GW 46 578F	GW 46 438F	GW 46 533F	GW 46 433F	GW 46 555
1060x800x350 180M	GW 46 424F	GW 46 429F	GW 46 479F	GW 46 573F	GW 46 579F	GW 46 439F	GW 46 534F	GW 46 434F	

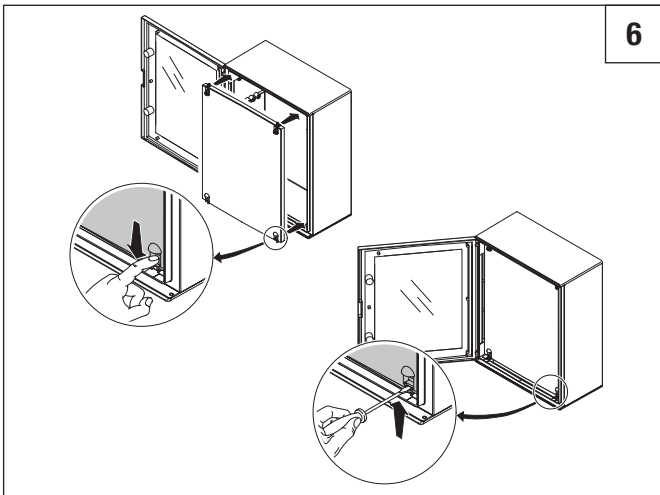
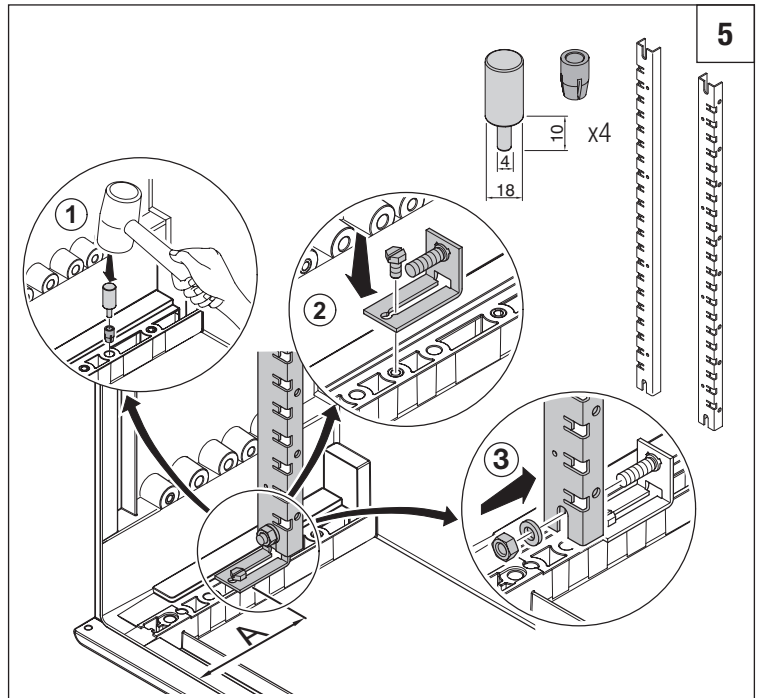
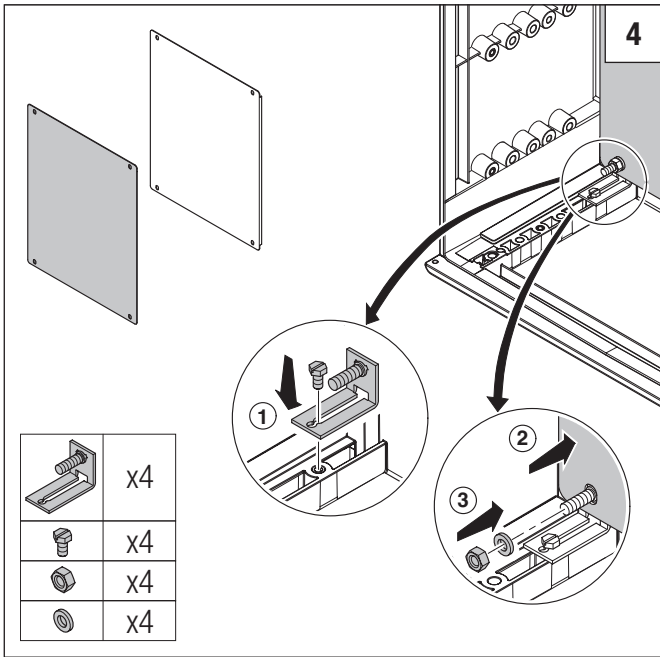




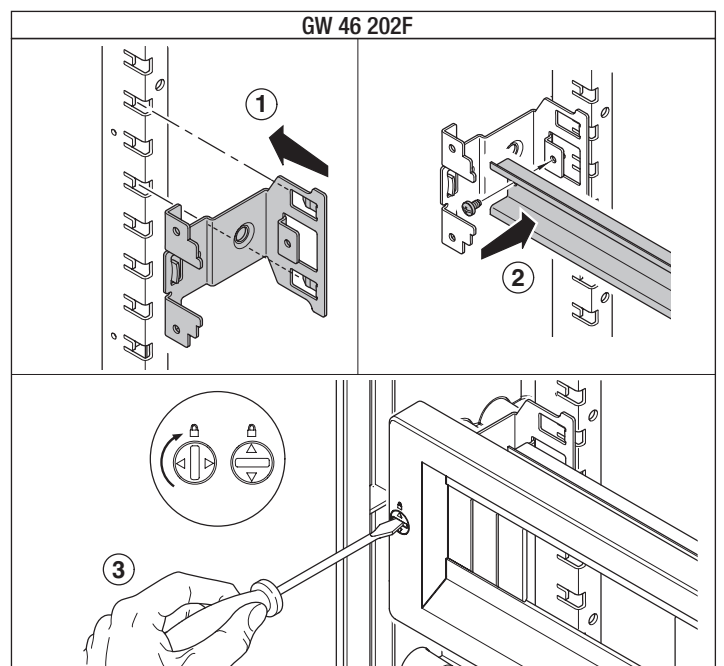
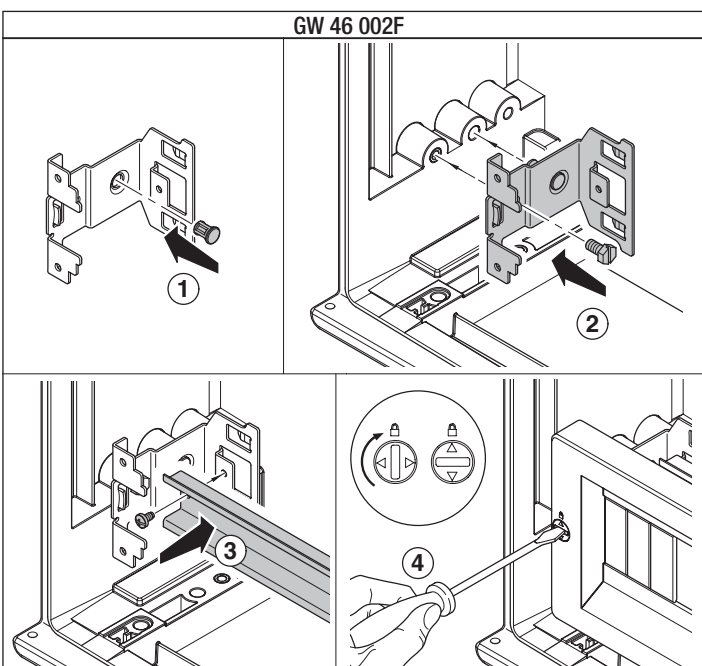
300x250x160				
425x310x160 36M	GW 46 540	GW 46 580	GW 46 440	GW 46 480
500x405x200 54M	GW 46 541	GW 46 581	GW 46 441	GW 46 481
650x405x200 72M	GW 46 541	GW 46 581	GW 46 441	GW 46 481
650x515x250 96M	GW 46 542	GW 46 582	GW 46 442	GW 46 482
800x585x300 140M	GW 46 543	GW 46 583	GW 46 443	GW 46 483
1060x800x350 180M	GW 46 544	GW 46 584	GW 46 444	GW 46 484

GW 46 447	GW 46 448	GW 46 557F
GW 46 449	GW 46 445	GW 46 446 Fe/Zn GW 46 451 INOX
	GW 46 526	GW 46 591





		A	
GW 46 002 F GW 46 202 F	GW 46 435 F	80	
GW 46 003 F GW 46 203 F	GW 46 436 F	106	
GW 46 004 F GW 46 204 F	GW 46 437 F		
GW 46 005 F GW 46 205 F	GW 46 438 F		
GW 46 006 F GW 46 206 F	GW 46 439 F		
GW 46 007 F GW 46 207 F	GW 46 439 F		





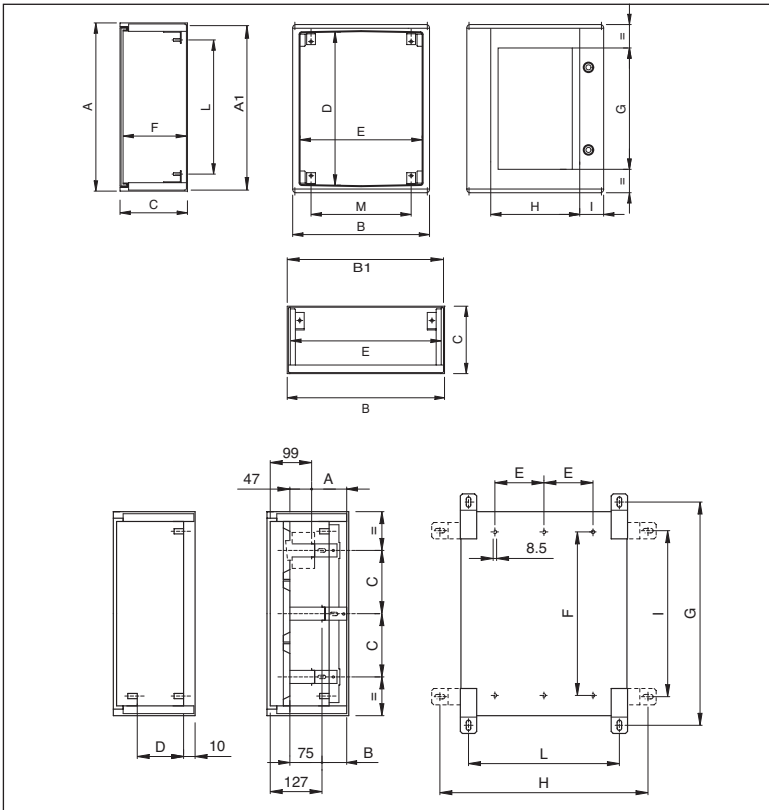
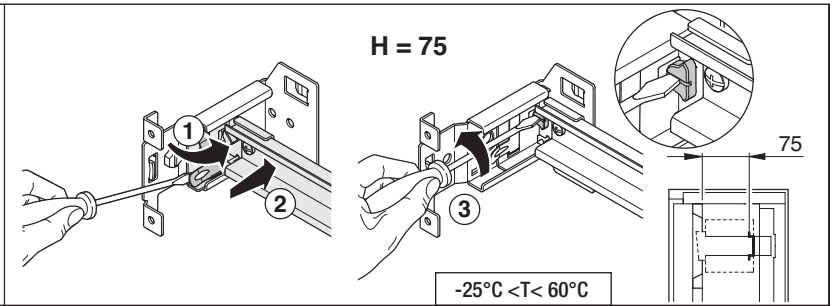
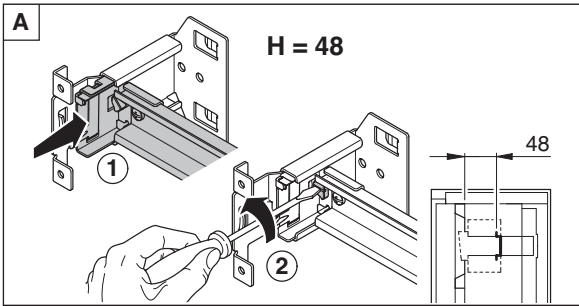
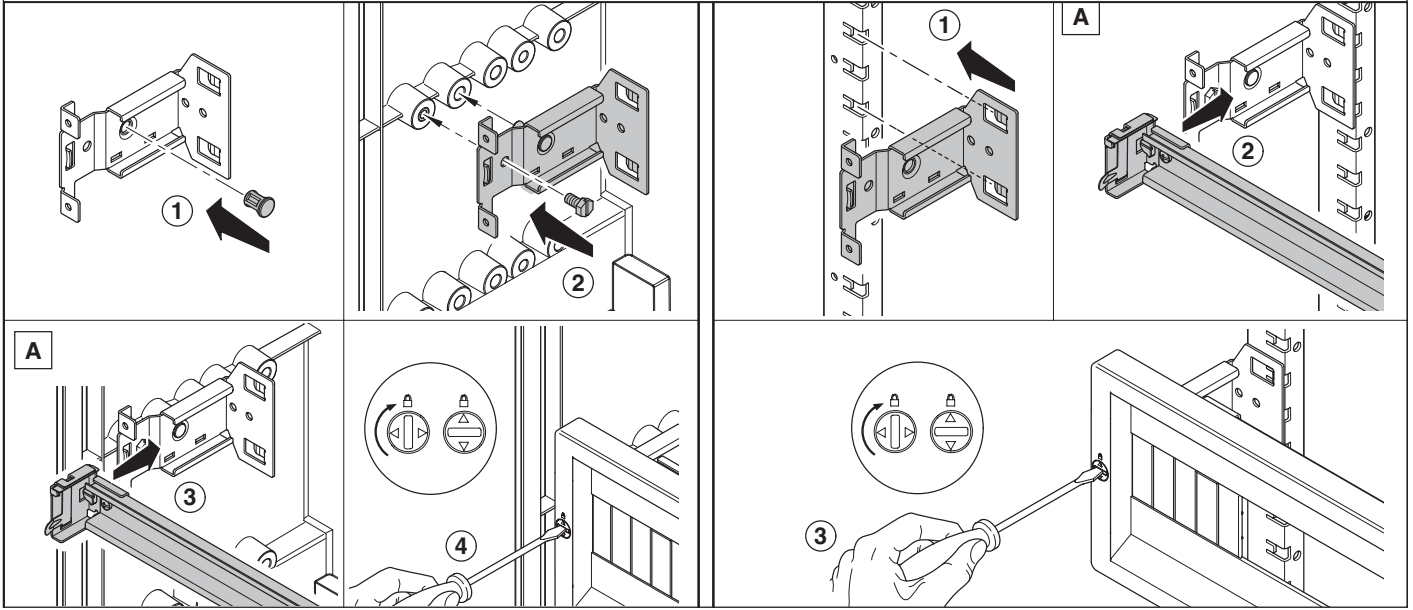
GW 46 003F-GW 46 203F

GW 46 004F-GW 46 204F

GW 46 005F-GW 46 205F

GW 46 006F-GW 46 206F

GW 46 007F-GW 46 207F



	GW 46 001F GW 46 201F	GW 46 002F GW 46 202F	GW 46 003F GW 46 203F	GW 46 004F GW 46 204F	GW 46 005F GW 46 205F	GW 46 006F GW 46 206F	GW 46 007F GW 46 207F
A	300	424	499	649	649	799	1060
A1	303	427	502,5	652,5	653,5	804	1066
B	250	313	406	406	514	586	777
B1	253	316	409,5	409,5	518,5	591	783
C	160	160	200	200	250	300	350
D	251	375	450	600	600	750	1000
E	206	269	362	362	470	542	722
F	154	154	194	194	244	294	342
G	213	328	399	552	552	701	900
H	128	159	252	252	360	432	603
I	77	77	77	77	77	77	87
L	203	327	402	552	552	702	952
M	141	202	297	297	405	477	657

	GW 46 001F GW 46 201F	GW 46 002F GW 46 202F	GW 46 003F GW 46 203F	GW 46 004F GW 46 204F	GW 46 005F GW 46 205F	GW 46 006F GW 46 206F	GW 46 007F GW 46 207F
A	-	55	95	95	145	195	245
B	-	27	67	67	117	167	217
C	-	125	150	150	150	150	200
D	85	85	125	125	175	225	275
E	53	84,5	131	131	184	221	307
F	185	309	384	534	470	620	860
G	348	472	547	697	695	845	1088
H	311	374	467	467	573	643	819
I	208	332	407	557	557	705	948
L	171	234	327	327	433	507	679

Punto di contatto indicato in adempimento ai fini delle direttive e regolamenti UE applicabili:
 Contact details according to the relevant European Directives and Regulations:
 GEWISS S.p.A. Via D.Bosatelli, 1 IT-24069 Cenate Sotto (BG) Italy tel: +39 035 946 111 E-mail: qualitymarks@gewiss.com

According to applicable UK regulations, the company responsible for placing the goods in UK market is:
 GEWISS UK LTD - Unity House, Compass Point Business Park, 9 Stocks Bridge Way, ST IVES
 Cambridgeshire, PE27 5JL, United Kingdom tel: +44 1954 712757 E-mail: gewiss-uk@gewiss.com



+39 035 946 111

8:30 - 12:30 / 14:00 - 18:00

lunedì - venerdì / monday - friday



www.gewiss.com

