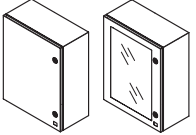
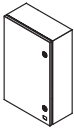
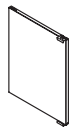

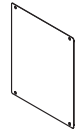
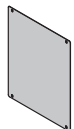

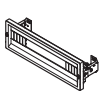
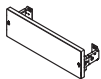
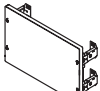
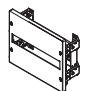
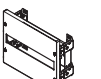
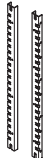


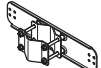
 QP-IP66	 QM-IP55	 QX-IP55	 Fe	 UP			
300x250x160	GW 46 001F GW 46 201F	GW 46 031				GW 46 401	GW 46 408	GW 46 461
425x310x160 36M	GW 46 001F GW 46 202F	GW 46 032 GW 46 232	GW 46 052	GW 46 564	GW 46 414	GW 46 402	GW 46 409	GW 46 462
500x405x200 54M	GW 46 003F GW 46 203F	GW 46 033 GW 46 233		GW 46 565	GW 46 415	GW 46 403	GW 46 410	GW 46 463
650x405x200 72M	GW 46 004F GW 46 204F	GW 46 034 GW 46 234	GW 46 054	GW 46 566	GW 46 416	GW 46 404	GW 46 411	GW 46 464
650x515x250 96M	GW 46 005F GW 46 205F	GW 46 035 GW 46 235		GW 46 567	GW 46 417	GW 46 405	GW 46 412	GW 46 465
800x585x300 140M	GW 46 006F GW 46 206F	GW 46 036 GW 46 236	GW 46 056	GW 46 568	GW 46 418	GW 46 406	GW 46 413	GW 46 466
1060x800x350 180M	GW 46 007F GW 46 207F	GW 46 037 GW 46 237		GW 46 569	GW 46 419	GW 46 407		GW 46 467

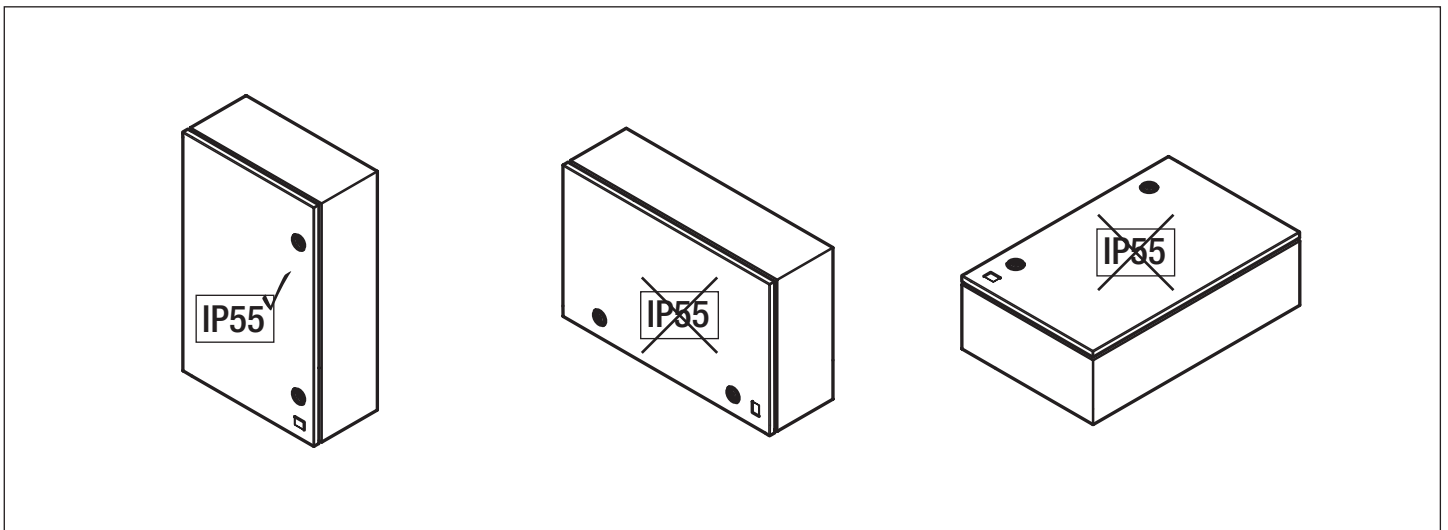
				 MTX 160/250 MSS-160	 MSS-250				
300x250x160									GW 46 551
425x310x160 36M	GW 46 420F	GW 46 425F	GW 46 475F			GW 46 435F	GW 46 530F	GW 46 430F	GW 46 552
500x405x200 54M	GW 46 421F	GW 46 526F	GW 46 476F	GW 46 570F		GW 46 436F	GW 46 531F	GE 46 431F	GW 46 553
650x405x200 72M	GW 46 421F	GW 46 426F	GW 46 476F	GW 46 570F		GW 46 437F	GW 46 531F	GW 46 431F	GW 46 553
650x515x250 96M	GW 46 422F	GW 46 427F	GW 46 477F	GW 46 571F	GW 46 577F	GW 46 437F	GW 46 532F	GW 46 432F	GW 46 554
800x585x300 140M	GW 46 423F	GW 46 428F	GW 46 478F	GW 46 572F	GW 46 578F	GW 46 438F	GW 46 533F	GW 46 433F	GW 46 555
1060x800x350 180M	GW 46 424F	GW 46 429F	GW 46 479F	GW 46 573F	GW 46 579F	GW 46 439F	GW 46 534F	GW 46 434F	



300x250x160				
425x310x160 36M	GW 46 540	GW 46 580	GW 46 440	GW 46 480
500x405x200 54M	GW 46 541	GW 46 581	GW 46 441	GW 46 481
650x405x200 72M	GW 46 541	GW 46 581	GW 46 441	GW 46 481
650x515x250 96M	GW 46 542	GW 46 582	GW 46 442	GW 46 482
800x585x300 140M	GW 46 543	GW 46 583	GW 46 443	GW 46 483
1060x800x350 180M	GW 46 544	GW 46 584	GW 46 444	GW 46 484

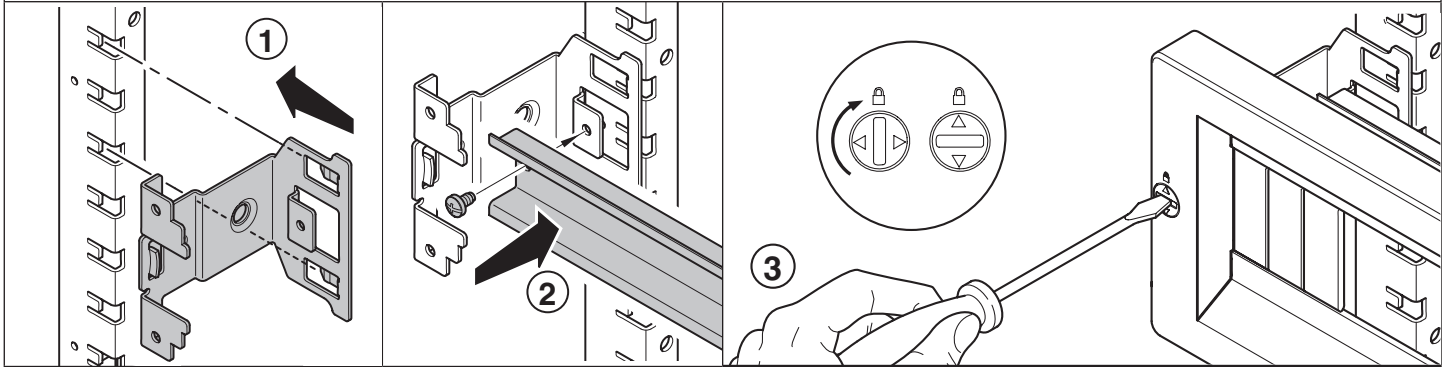
		<p>GW 46 557F</p> <p>GW 46 446 Fe/Zn GW 46 451 INOX</p>
GW 46 447	GW 46 448	
GW 46 449	GW 46 445	

	M8	M6	M4	Ø8	Ø6	M6	M4											Ø6
	A	B	C	D	E	F	G+S	H	I	L	M	N	O	P	Q	R	T	
GW 46 031	8	7		8	3					4	3		1	4	2	1	4	
GW 46 032 GW 46 052 GW 46 232	8	6		8	2		4			4	2	4	1	4	6	1	4	
GW 46 033 GW 46 233	8	7		8	3		4			4	3	4	1	4	6	1	4	
GW 46 034 GW 46 054 GW 46 234	8	7		8	3		4+6			4	3	4	1	4	6	1	4	
GW 46 035 GW 46 235	4	7	6	4	3	4	4+6	4	4		3	4	1	4	6	1	4	
GW 46 036 GW 46 056 GW 46 236	4	7	6	4	3	4	4+6	4	4		3	4	1	4	7	1	4	
GW 46 037 GW 46 237	4	7	6	4	3	4	4+6	4	4		3	4	1	4	7	1	4	

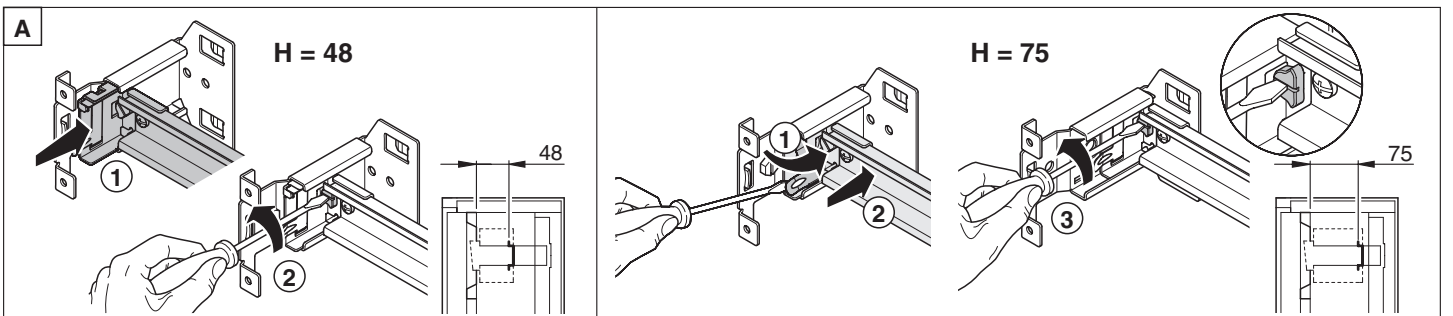
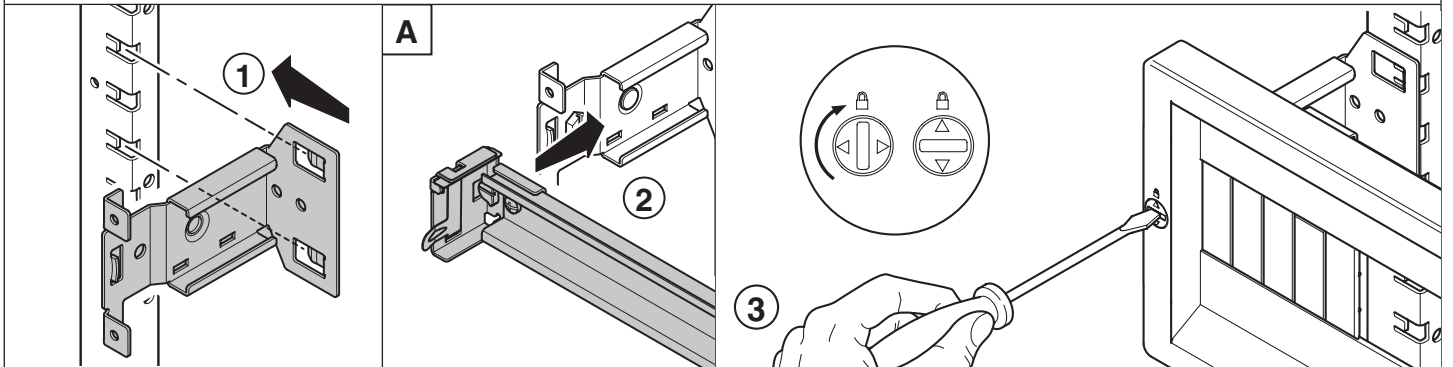




GW 46 032 - GW 46 232



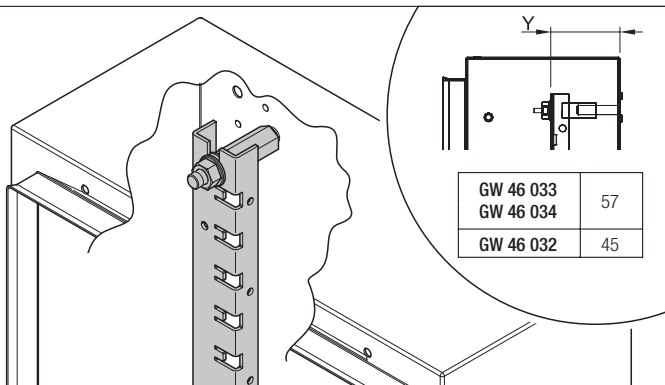
GW 46 033   GW 46 034   GW 46 035   GW 46 036   GW 46 037  
 GW 46 233   GW 46 234   GW 46 235   GW 46 236   GW 46 237



GW 46 032  
 GW 46 033  
 GW 46 034

GW 46 232  
 GW 46 233  
 GW 46 234

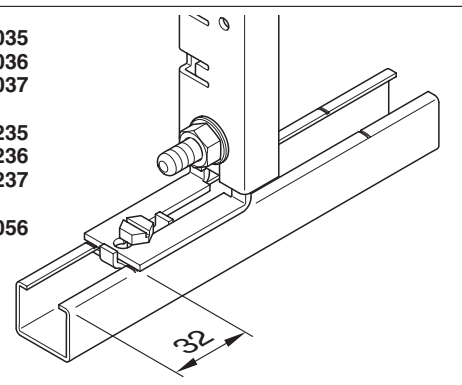
GW 46 052  
 GW 46 054

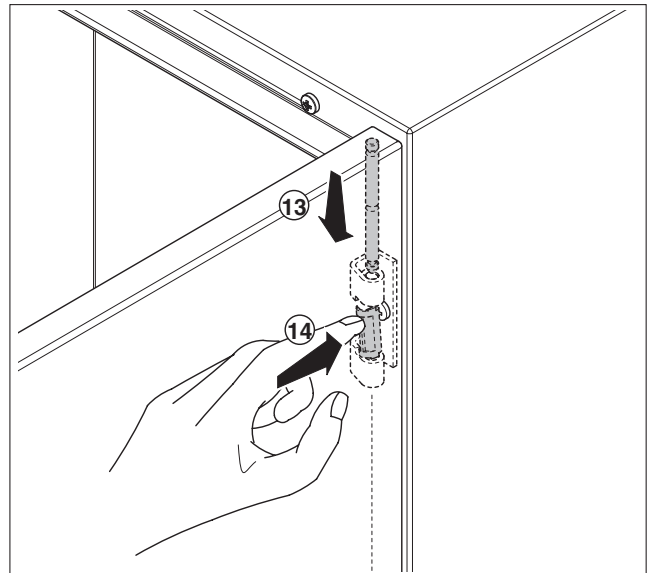
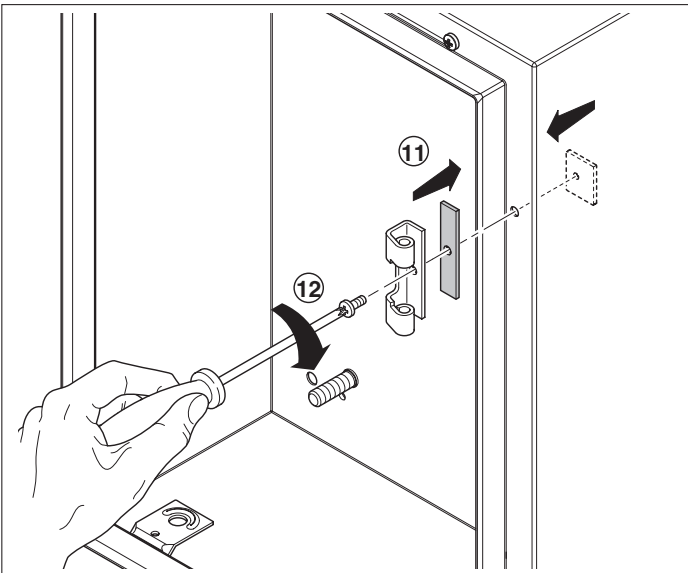
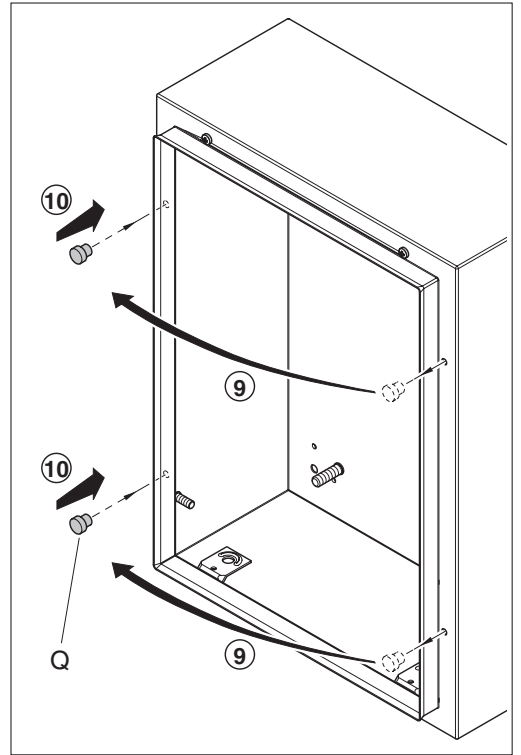
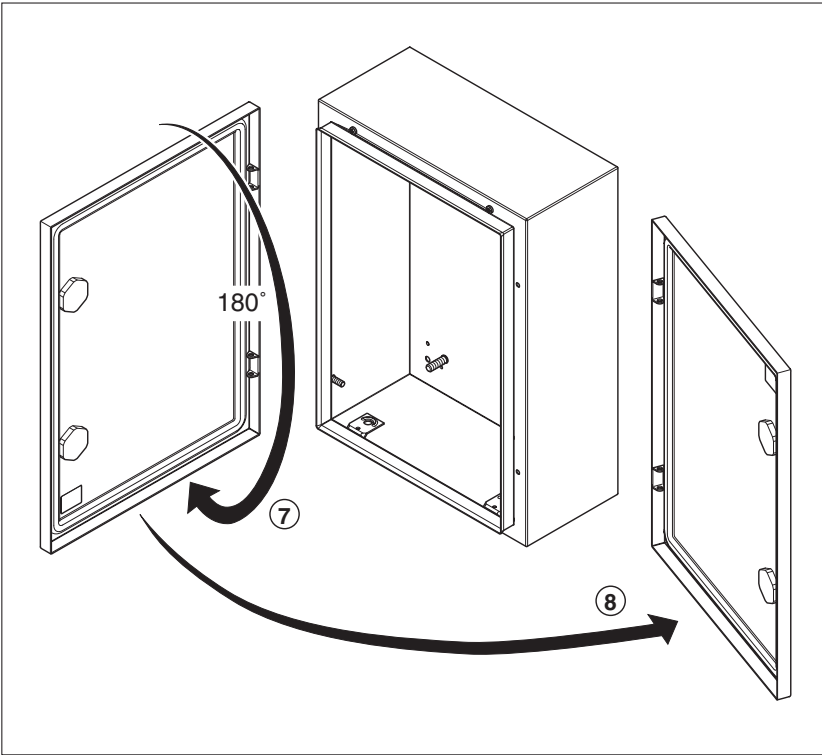
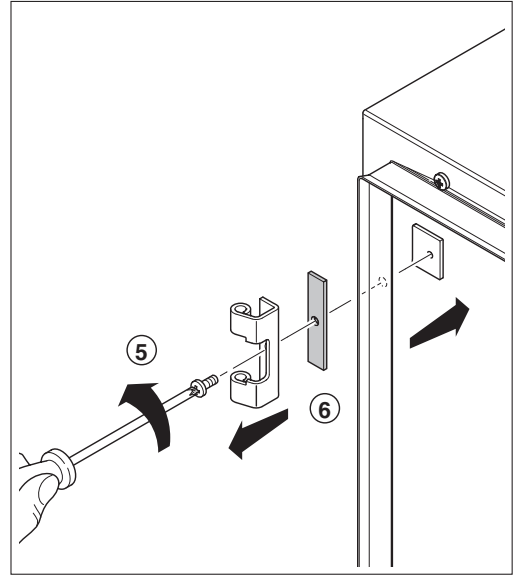
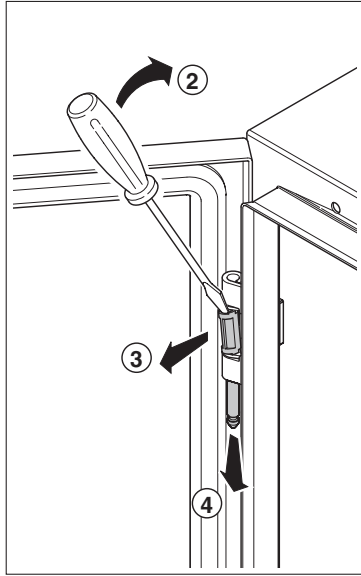
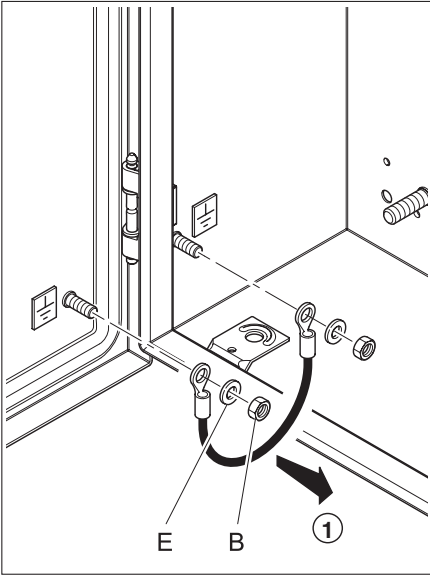


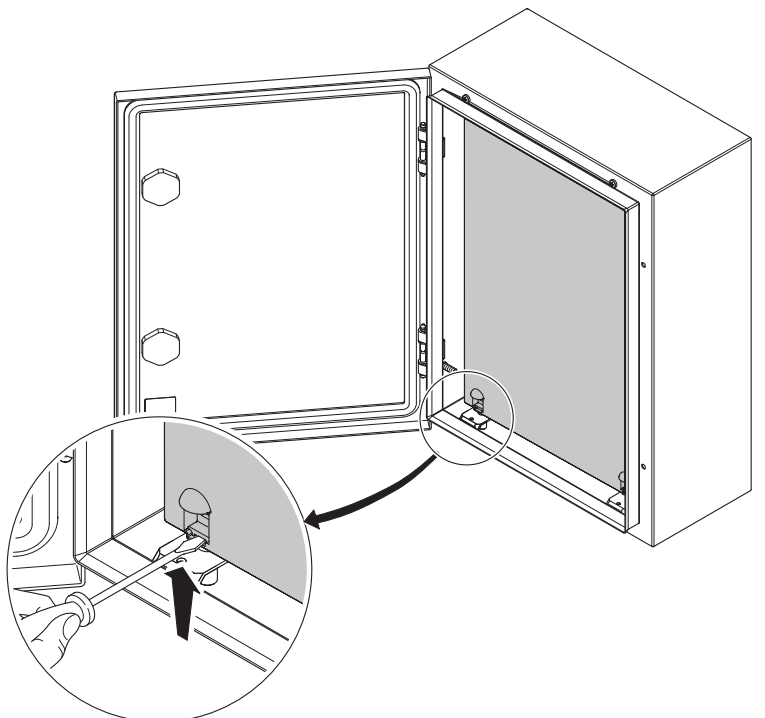
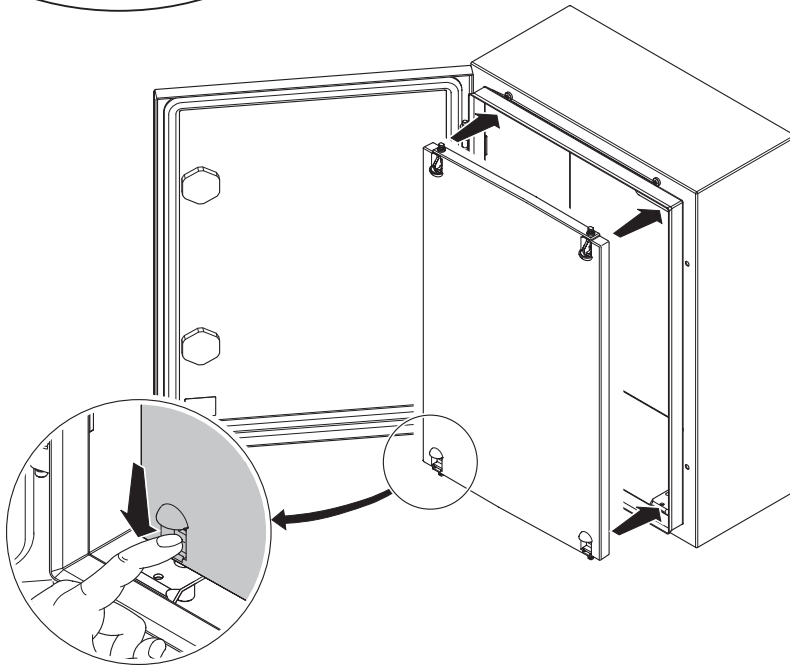
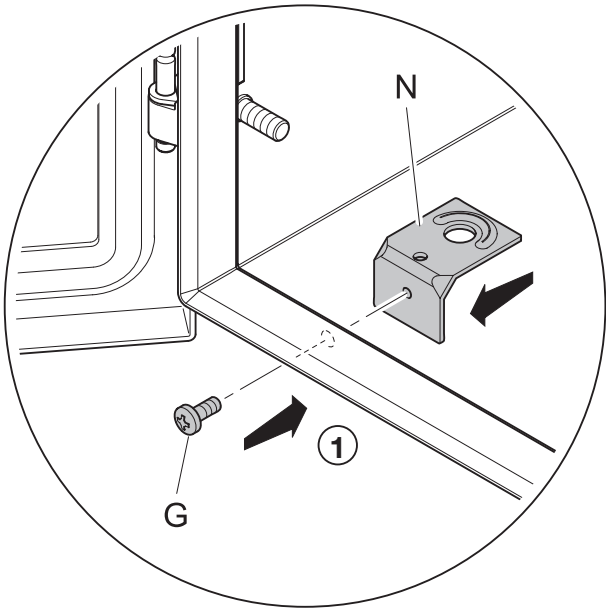
GW 46 035  
 GW 46 036  
 GW 46 037

GW 46 235  
 GW 46 236  
 GW 46 237

GW 46 056

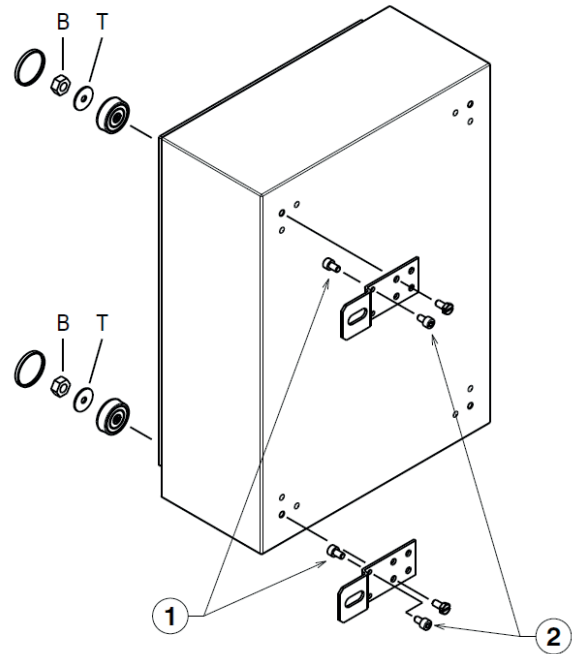
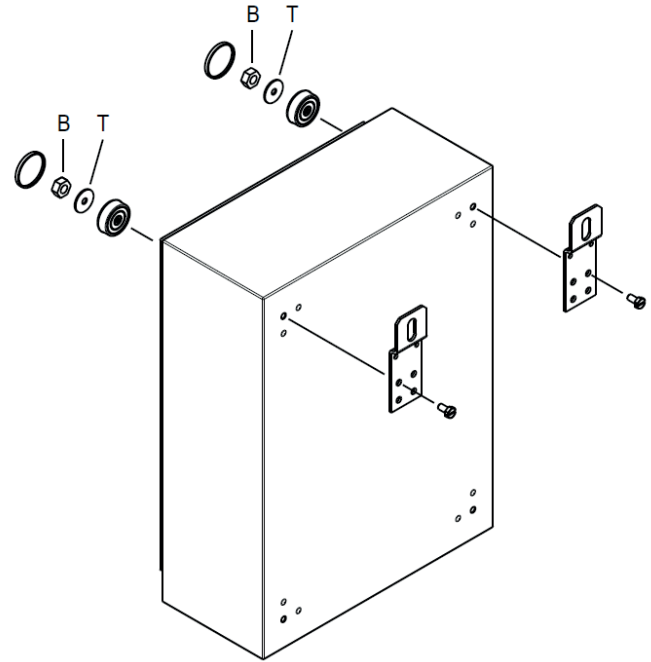
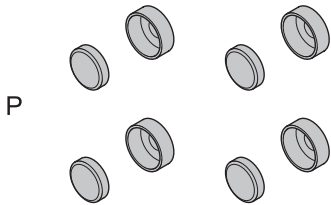
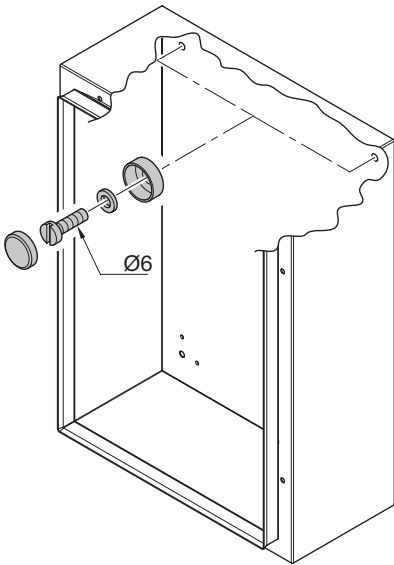


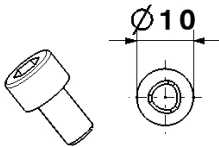




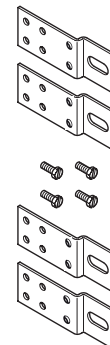


QM - IP55  
QX - IP55

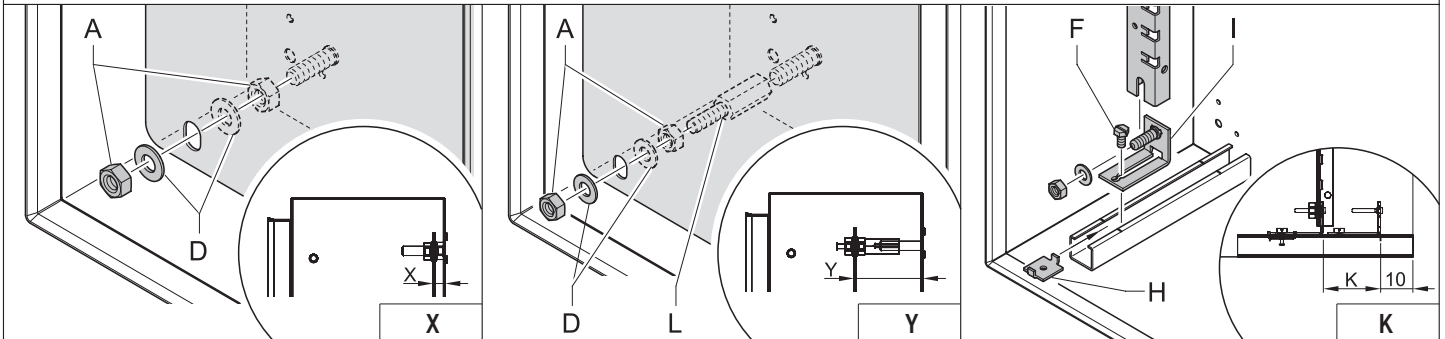
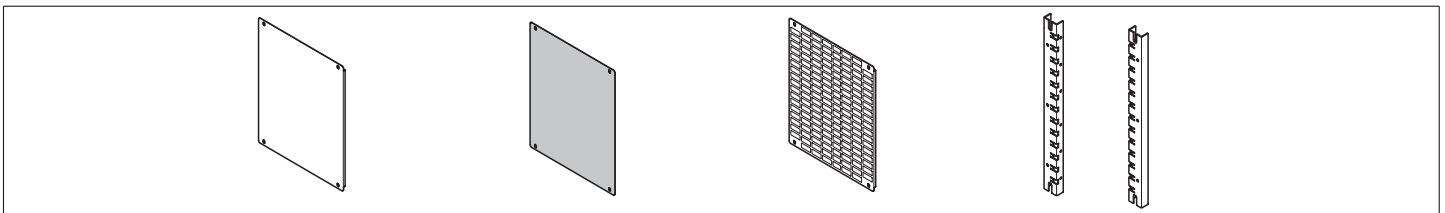
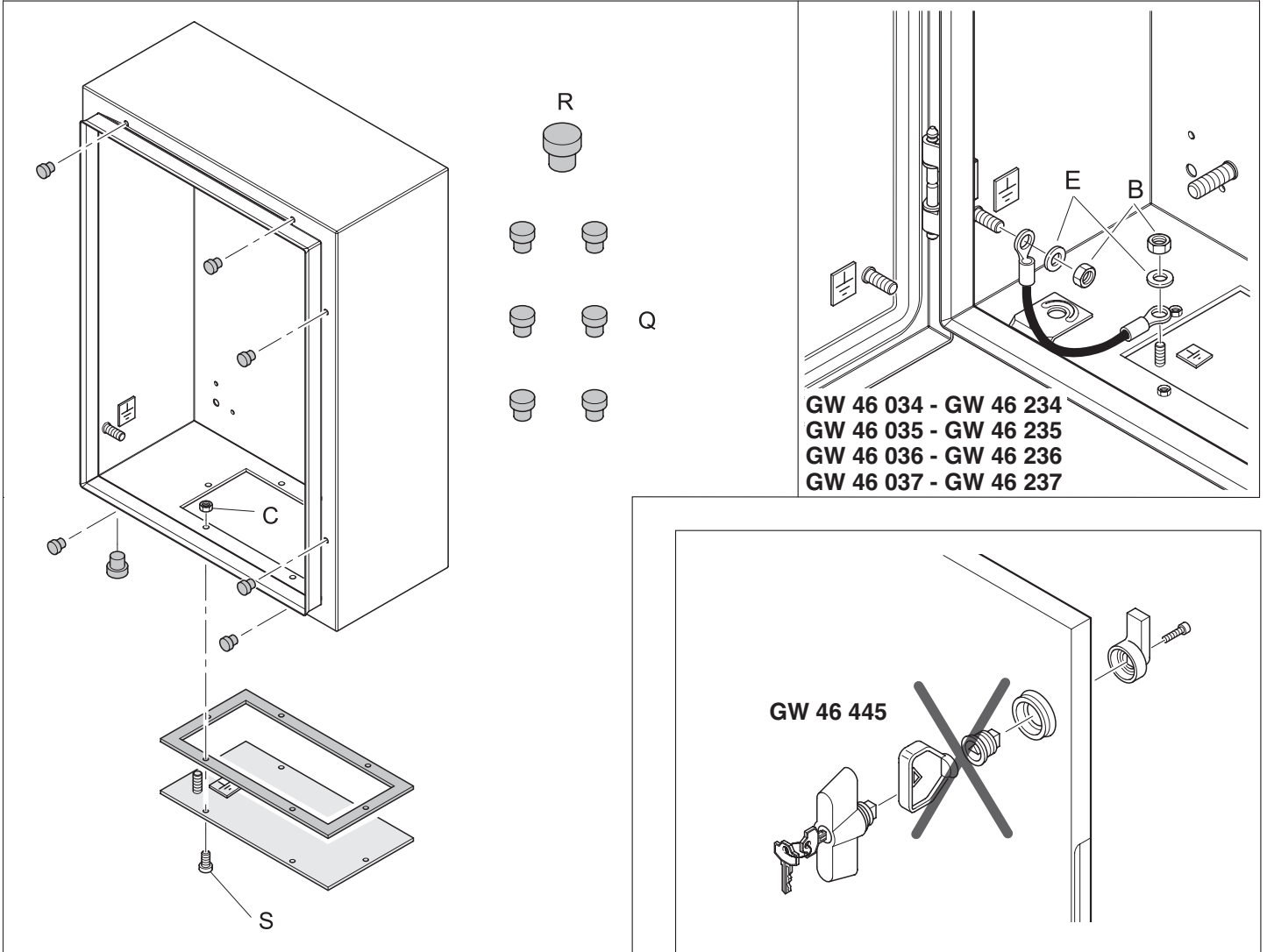


①	GW 46 031 GW 46 032 - GW 46 232 - GW 46 052 GW 46 033 - GW 46 233 GW 46 034 - GW 46 234 - GW 46 054 GW 46 036 - GW 46 236 - GW 46 056 GW 46 037 - GW 46 237	 <p>Ø 10</p>
②	GW 46 035 - GW 46 235	

M6x10 DIN 7500E



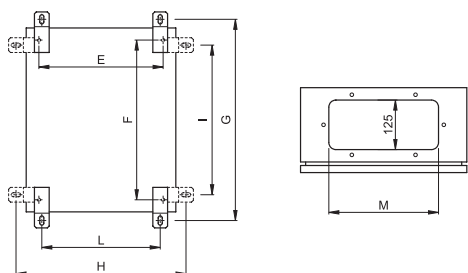
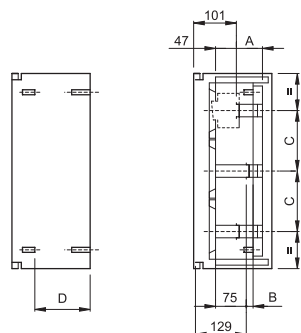
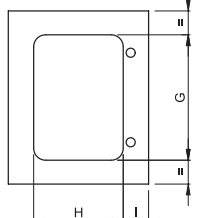
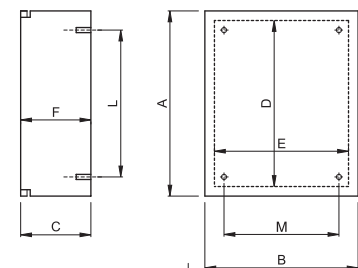
GW 46 446 Fe/Zn  
GW 46 451 Inox



GW 46 031	-	-		GW 46 031	-	-		GW 46 035	GW 46 235	-	175
GW 46 033	GW 46 233	-	0÷31	GW 46 033	GW 46 233	-	50÷69	GW 46 036	GW 46 236	GW 46 056	225
GW 46 034	GW 46 234	GW 46 054		GW 46 034	GW 46 234	GW 46 054		GW 46 037	GW 46 237	-	275
GW 46 032	GW 46 232	GW 46 052	0÷19	GW 46 032	GW 46 232	GW 46 052	38÷57	-	-	-	-

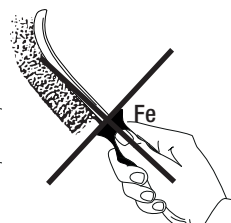
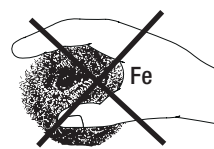
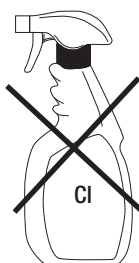
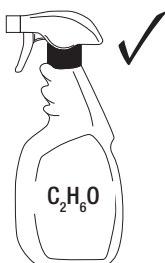
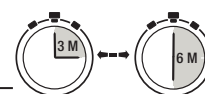


### QM - IP55 / QX - IP55



	GW 46 031	GW 46 032 GW 46 232	GW 46 033 GW 46 233	GW 46 034 GW 46 234	GW 46 035 GW 46 235	GW 46 036 GW 46 236	GW 46 037 GW 46 237	GW 46 052	GW 46 054	GW 46 056
A	296	420	495	645	645	795	1045	420	645	795
B	246	309	402	402	510	582	762	309	402	582
C	160	160	200	200	250	300	350	160	200	300
D	256	380	455	605	605	755	1005	380	605	755
E	206	269	362	362	470	542	722	269	362	542
F	157	157	197	197	247	297	347	157	197	297
G	-	320	370	520	520	660	850	-	-	-
H	-	165	253	253	366	430	582	-	-	-
I	-	80	80	80	80	80	90	-	-	-
L	203	327	402	552	-	-	-	327	552	-
M	141	202	297	297	-	-	-	202	297	-

	GW 46 031	GW 46 032 GW 46 232	GW 46 033 GW 46 233	GW 46 034 GW 46 234	GW 46 035 GW 46 235	GW 46 036 GW 46 236	GW 46 037 GW 46 237	GW 46 052	GW 46 054	GW 46 056
A	-	55	95	95	145	195	245	55	95	195
B	-	27	67	67	117	167	217	27	67	167
C	-	125	150	150	150	150	200	125	150	150
D	65	65	65	65	200	250	300	65	65	250
E	191	254	347	347	453	527	707	254	347	527
F	228	352	427	577	577	725	968	352	577	725
G	348	472	547	697	695	845	1088	472	697	845
H	311	374	467	467	573	643	827	374	467	643
I	208	332	407	557	557	705	948	332	557	705
L	171	234	327	327	433	507	679	234	327	507
M	-	-	-	270	270	335	335	-	270	335



Punto di contatto indicato in adempimento ai fini delle direttive e regolamenti UE applicabili:  
 Contact details according to the relevant European Directives and Regulations:  
 GEWISS S.p.A. Via D.Bosatelli, 1 IT-24069 Cenate Sotto (BG) Italy tel: +39 035 946 111 E-mail: qualitymarks@gewiss.com

According to applicable UK regulations, the company responsible for placing the goods in UK market is:  
 GEWISS UK LTD - Unity House, Compass Point Business Park, 9 Stocks Bridge Way, ST IVES  
 Cambridgeshire, PE27 5JL, United Kingdom tel: +44 1954 712757 E-mail: gewiss-uk@gewiss.com

+39 035 946 111  
 8:30 - 12:30 / 14:00 - 18:00  
 lunedì - venerdì / monday - friday

www.gewiss.com

