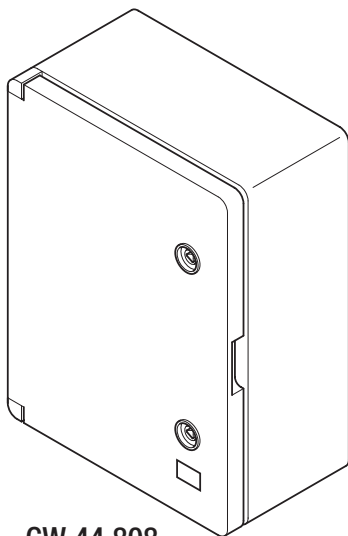


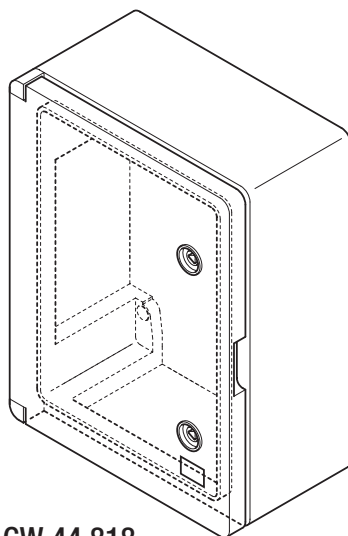
44 CEP

GEWISS

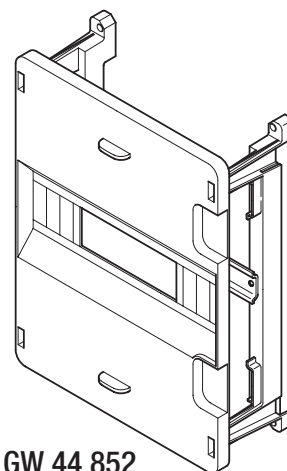
CE UK
CA



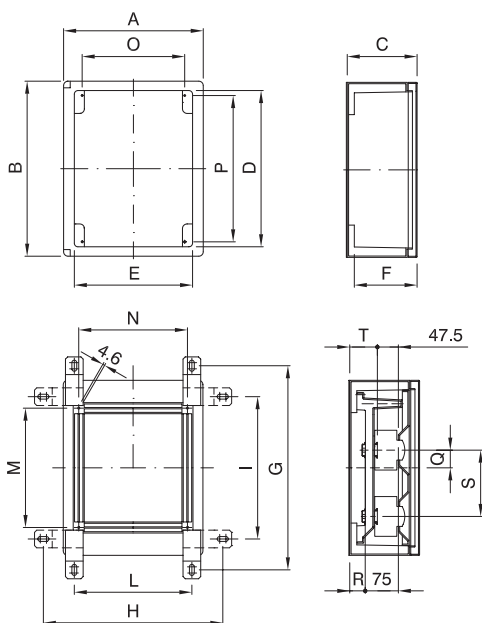
GW 44 808
GW 44 809
GW 44 810
GW 44 811



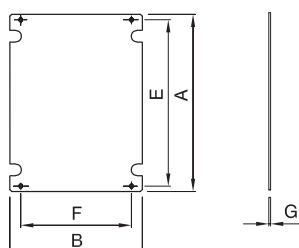
GW 44 818
GW 44 819
GW 44 820
GW 44 821



GW 44 852
GW 44 853
GW 44 854
GW 44 855



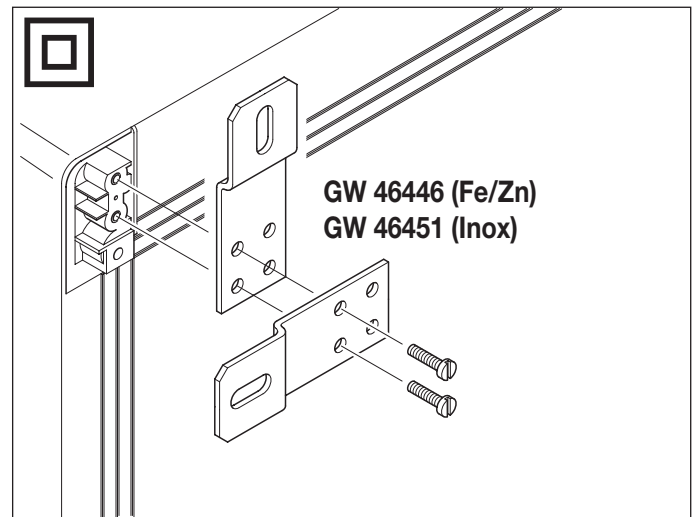
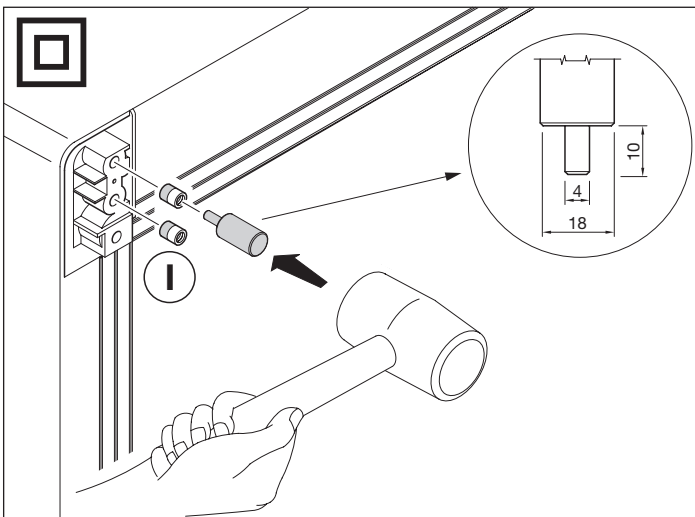
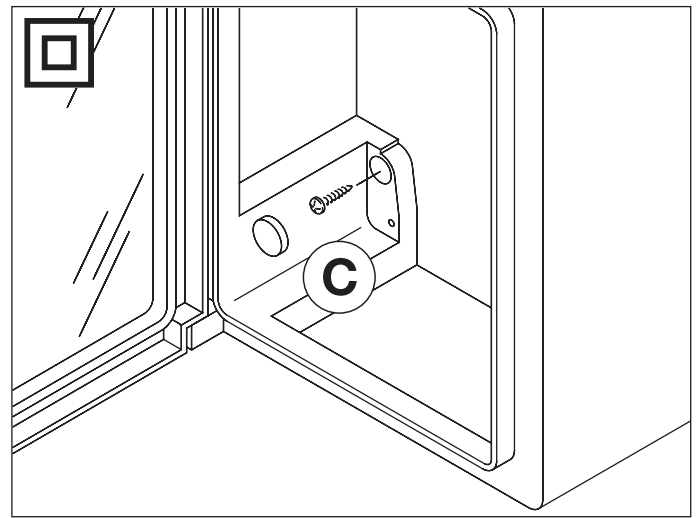
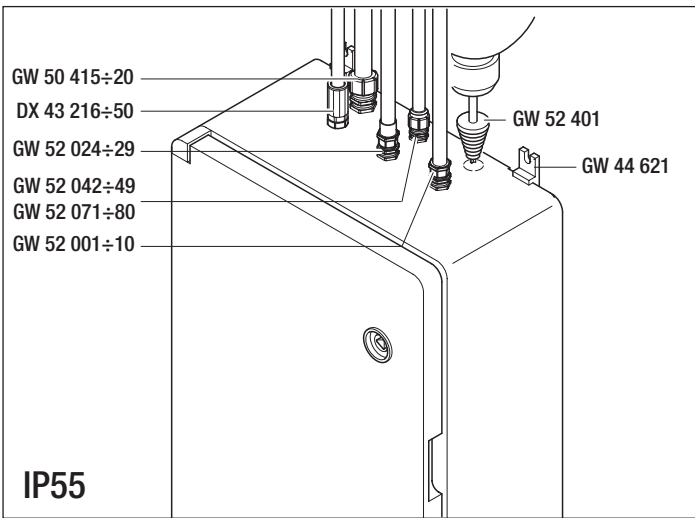
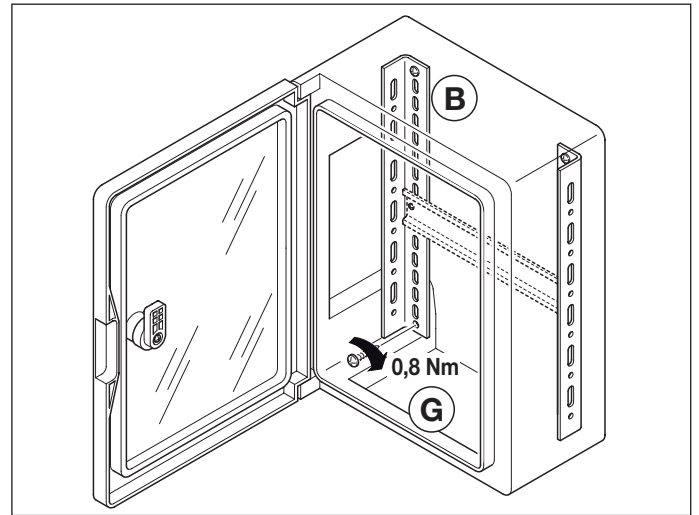
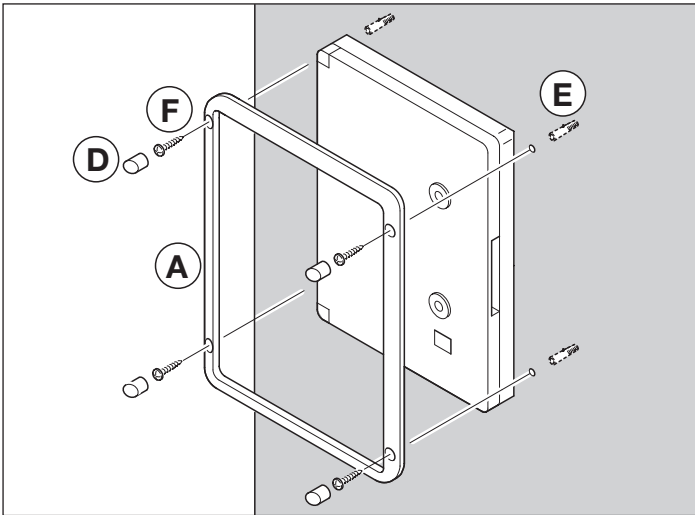
	GW 44 808 GW 44 818	GW 44 809 GW 44 819	GW 44 810 GW 44 820	GW 44 811 GW 44 821
A	200	236	316	396
B	254	316	396	474
C	135	135	160	160
D	211,5	273,5	353,5	431,5
E	151,5	187,5	267,5	347,5
F	127,5	127,5	140	140
G	321	383	463	541
H	290	326	406	486
I	181	243	323	401
L	150	186	266	346
M	129	191	271	349
N	130	166	246	326
O	116	152	232	312
P	189	251	331	409
Q	-	40	40	75
R	-	27	35	35
S	-	150	150	150
T	-	54,5	62,5	62,5

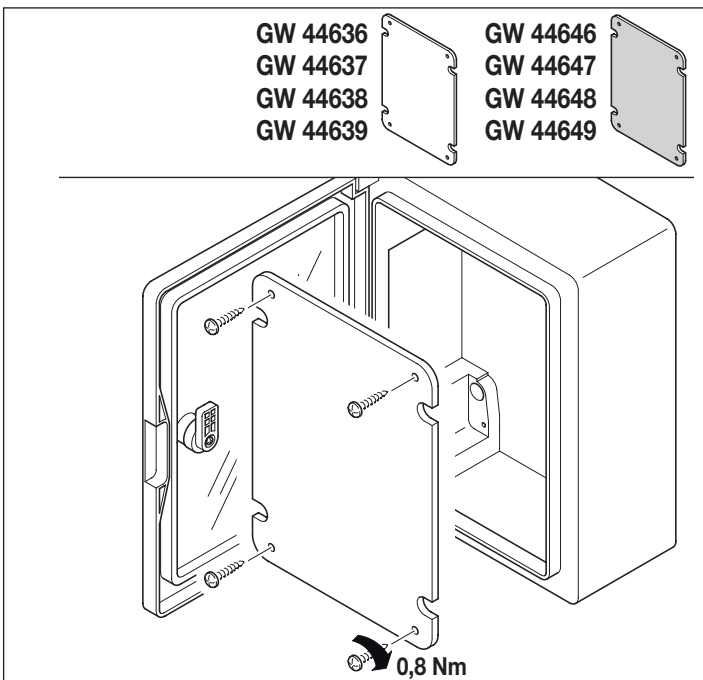
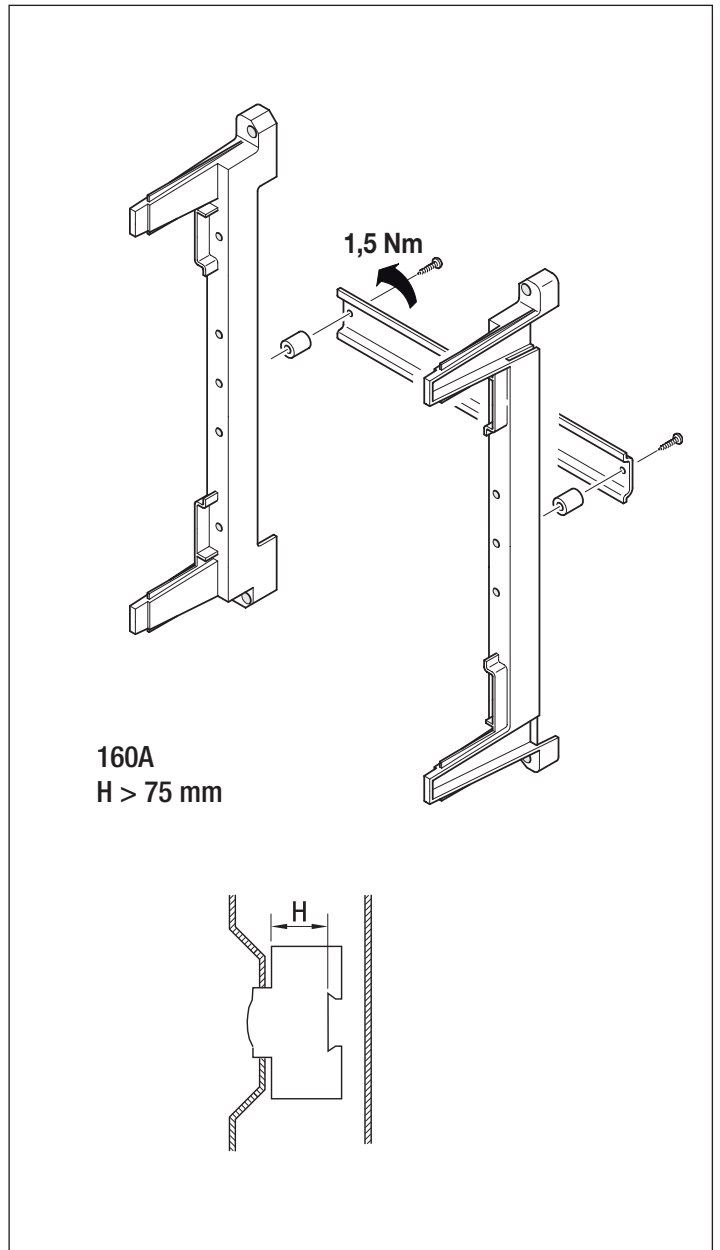
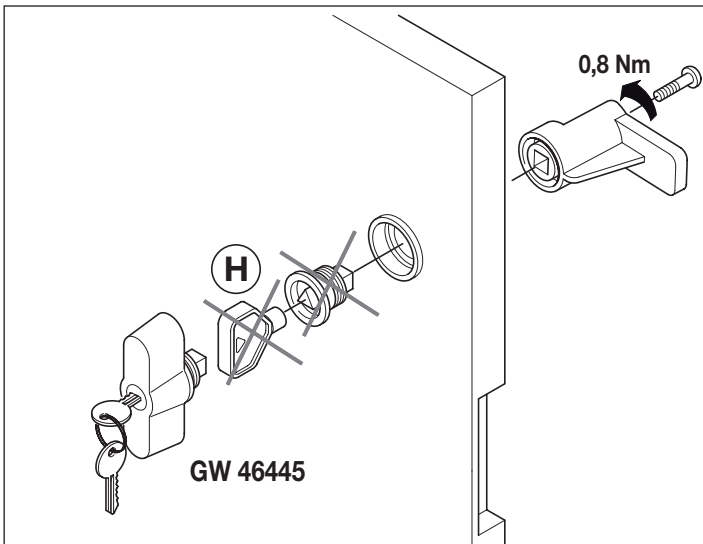
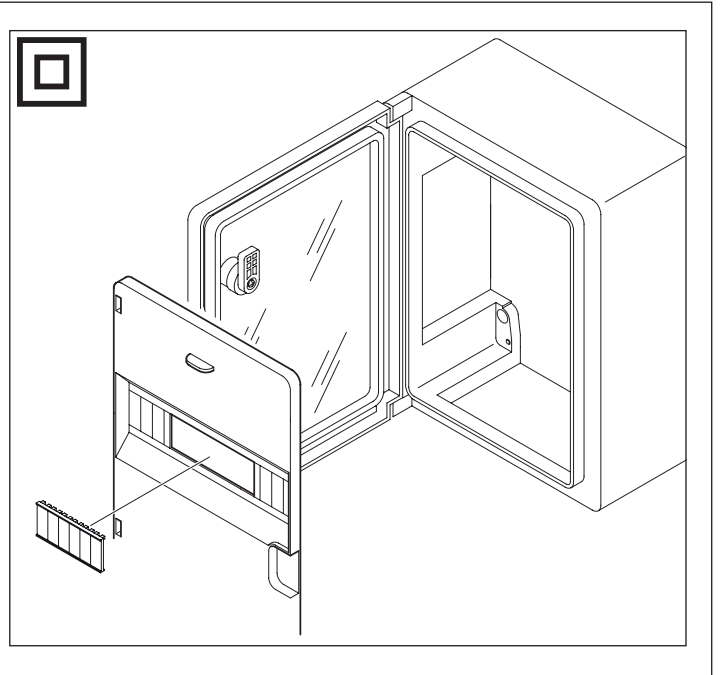
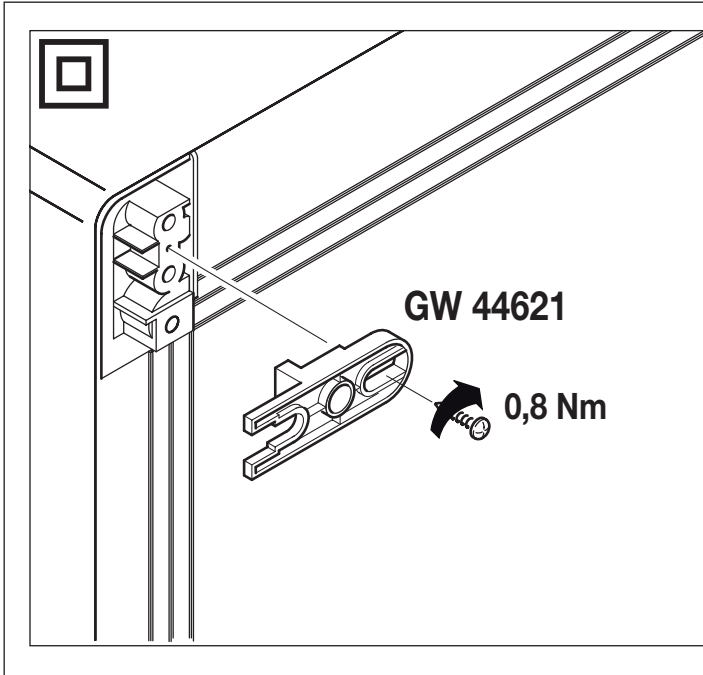


	A	B	E	F	G	
GW 44 636 GW 44 646	205,5	145,5	189	118	1,5 4	GW 44 808 GW 44 818
GW 44 637 GW 44 647	267,5	181,5	251	152	1,5 4	GW 44 809 GW 44 819
GW 44 638 GW 44 648	347,5	261,5	331	232	2 4	GW 44 810 GW 44 820
GW 44 639 GW 44 649	425,5	341,5	409	312	2 4	GW 44 811 GW 44 821



	A	B	C	D	E	F	G	H	
GW 44 808 - GW 44 818	1	-	4	4	4	4	-	1	8
GW 44 809 - GW 44 810 - GW 44 811 GW 44 819 - GW 44 820 - GW 44 821	1	2	4	4	4	4	4	1	8

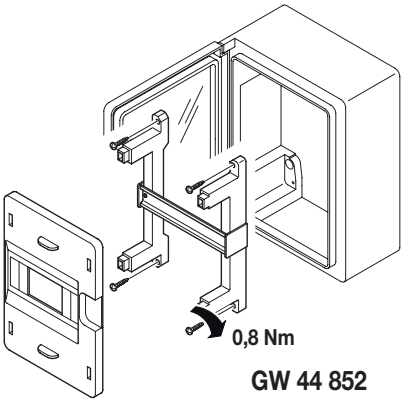
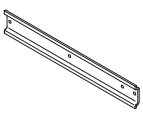
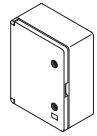
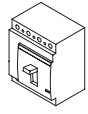
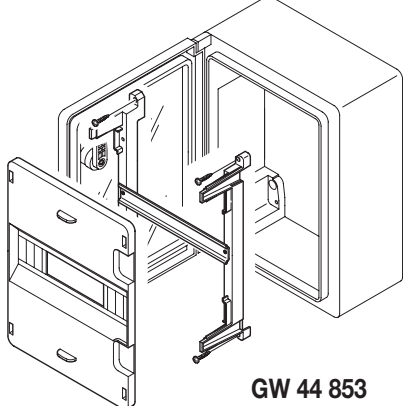
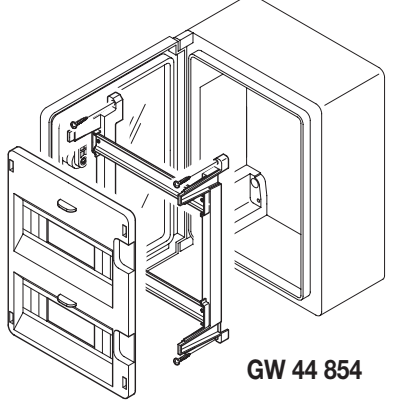
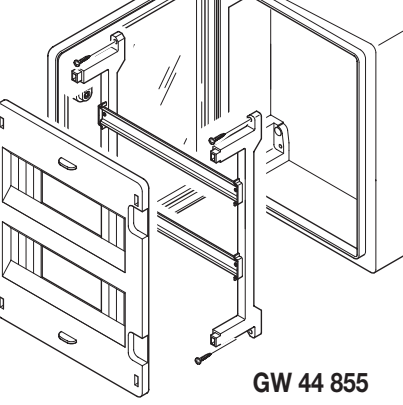







IEC 60670-24 GP Ui 750V

75921346

 <p>GW 44 852</p> <p>0,8 Nm</p>	 <p>EN 50022</p>		 <p>In max.</p>
 <p>GW 44 853</p>	<p>8</p>	<p>GW 44 809 GW 44 819</p>	<p>125A 3P - 4P</p>
 <p>GW 44 854</p>	<p>14</p>	<p>GW 44 810</p> <p>GW 44 820</p>	<p>125A 3P - 4P</p> <p>160A 3P - 4P</p>
 <p>GW 44 855</p>	<p>24 (12x2)</p>	<p>GW 44 810 GW 44 820</p>	<p>125A 3P - 4P</p> <p>160A 3P - 4P</p>
 <p>GW 44 855</p>	<p>32 (16x2)</p>	<p>GW 44 811</p> <p>GW 44 821</p>	<p>125A 3P - 4P</p> <p>160A 3P - 4P</p>

Punto di contatto indicato in adempimento ai fini delle direttive e regolamenti UE applicabili:
 Contact details according to the relevant European Directives and Regulations:
 GEWISS S.p.A. Via D.Bosatelli, 1 IT-24069 Cenate Sotto (BG) Italy tel: +39 035 946 111 E-mail: qualitymarks@gewiss.com

According to applicable UK regulations, the company responsible for placing the goods in UK market is:
 GEWISS UK LTD - Unity House, Compass Point Business Park, 9 Stocks Bridge Way, ST IVES
 Cambridgeshire, PE27 5JL, United Kingdom tel: +44 1954 712757 E-mail: gewiss-uk@gewiss.com



+39 035 946 111
 8:30 - 12:30 / 14:00 - 18:00
 lunedì - venerdì / monday - friday



www.gewiss.com



ULTIMA REVISIONE 07/2024