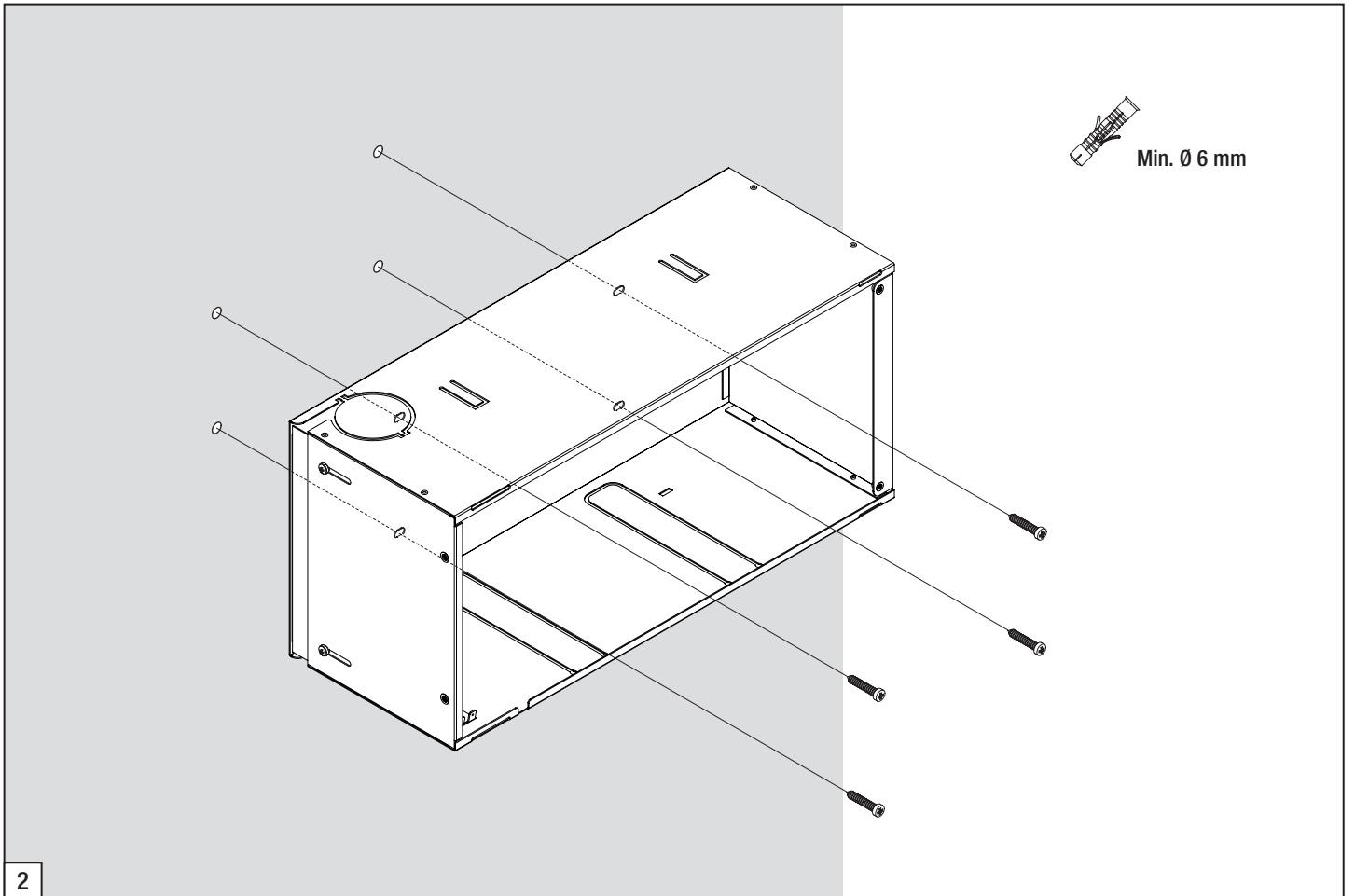
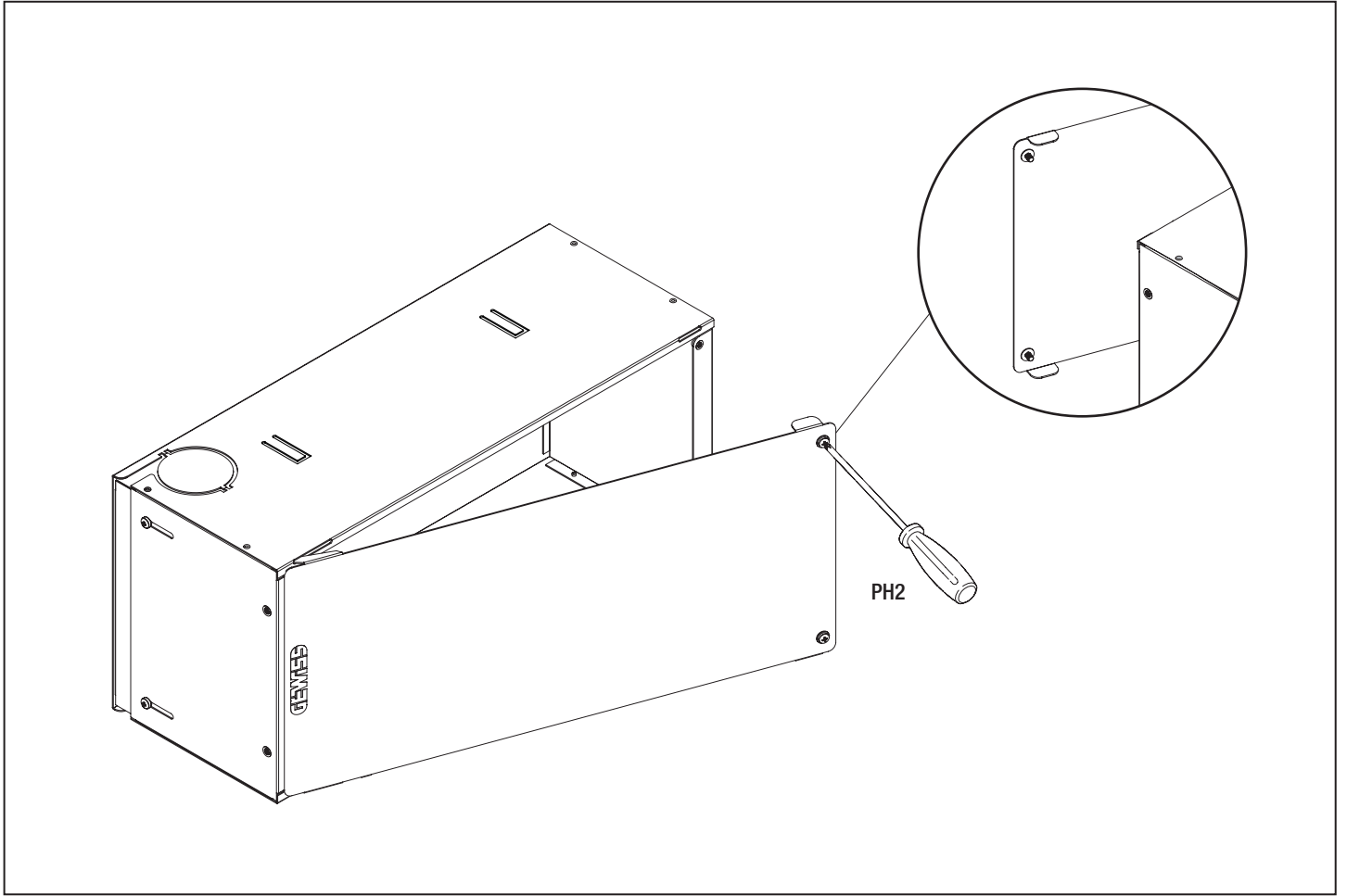
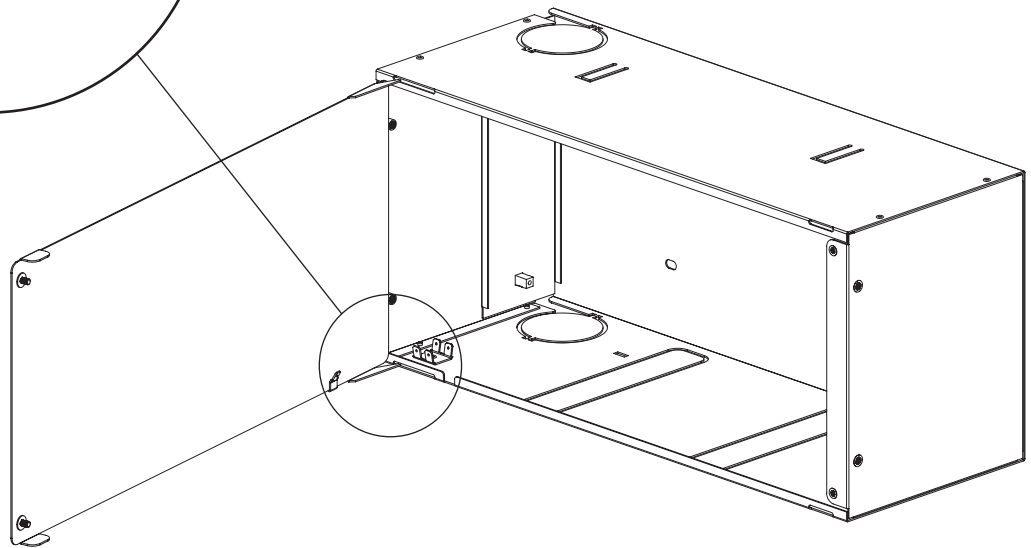
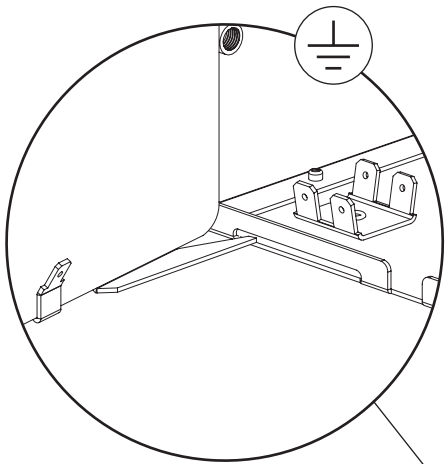
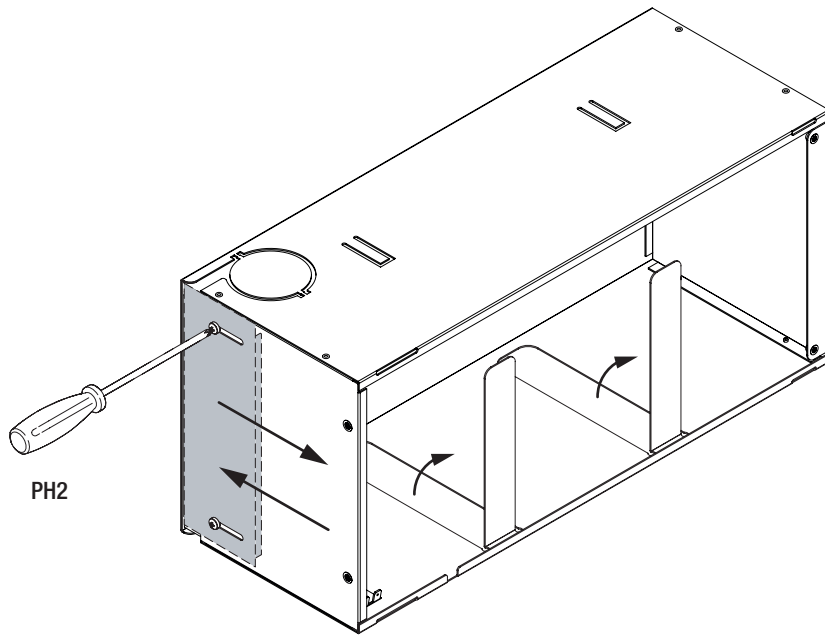
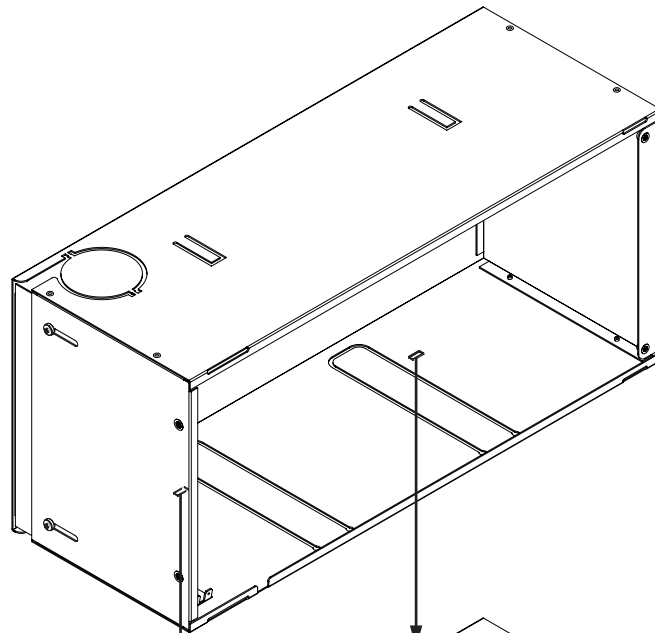
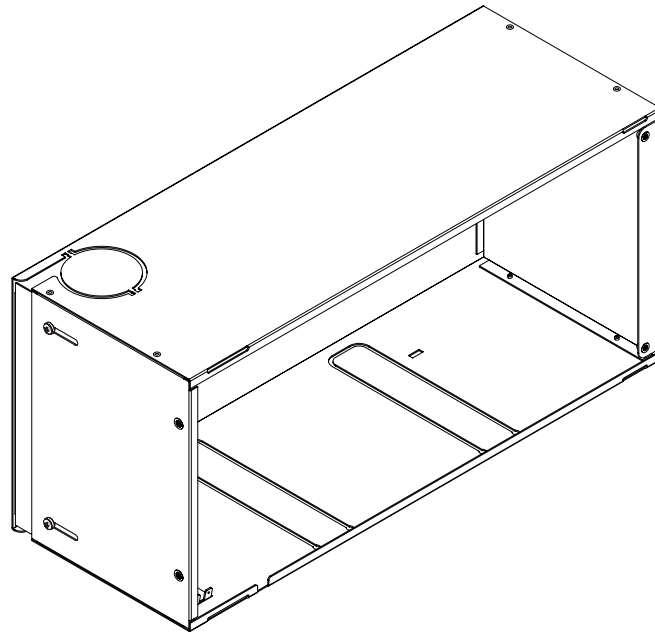


**GW 38 302**

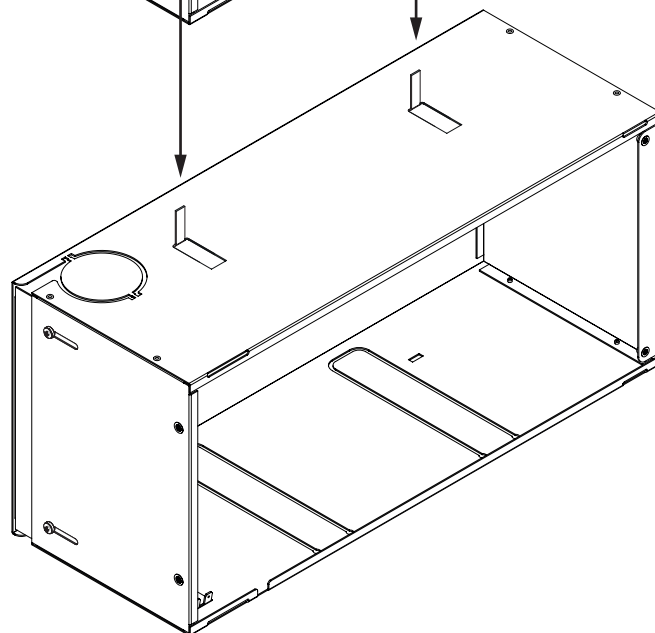
Two metal mounting brackets are shown. One is a flat plate with two slots and four holes, while the other is a similar plate with a different hole pattern.	A metal screw with a hexagonal head and a matching metal nut are shown.
<p><b>GW38322</b></p>	<p><b>GW38557</b></p>

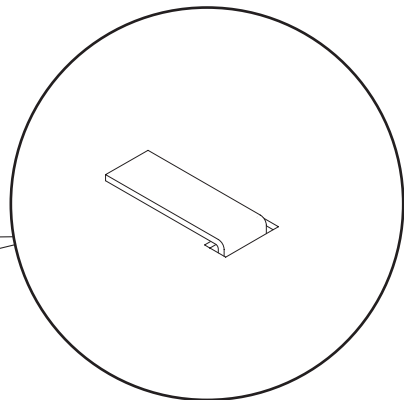
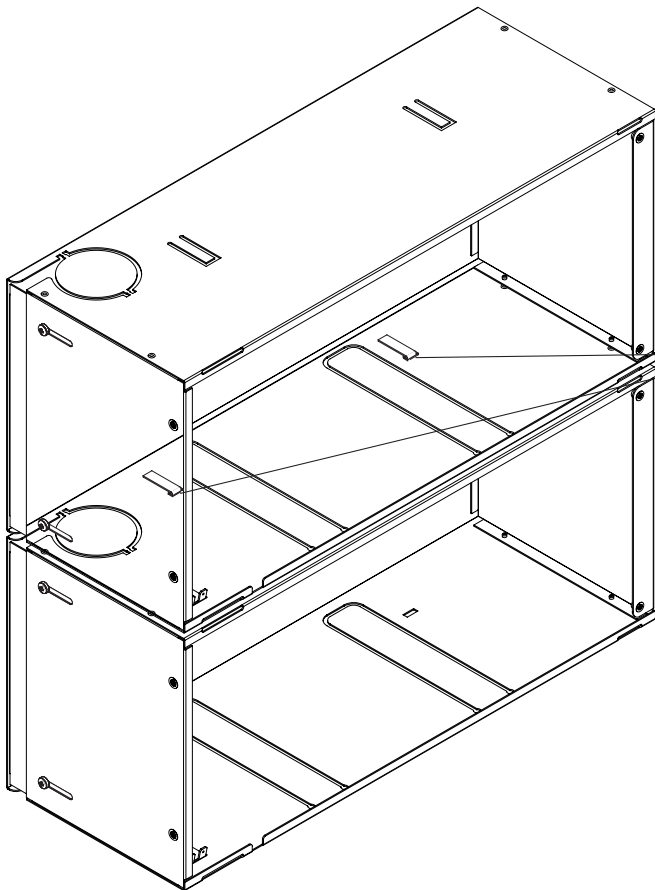
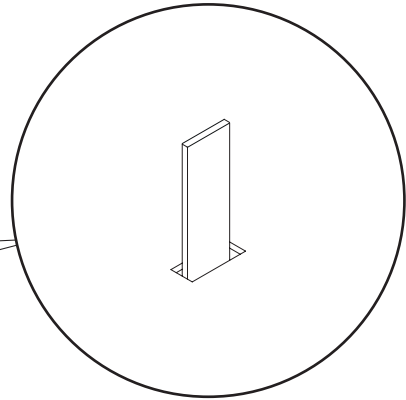
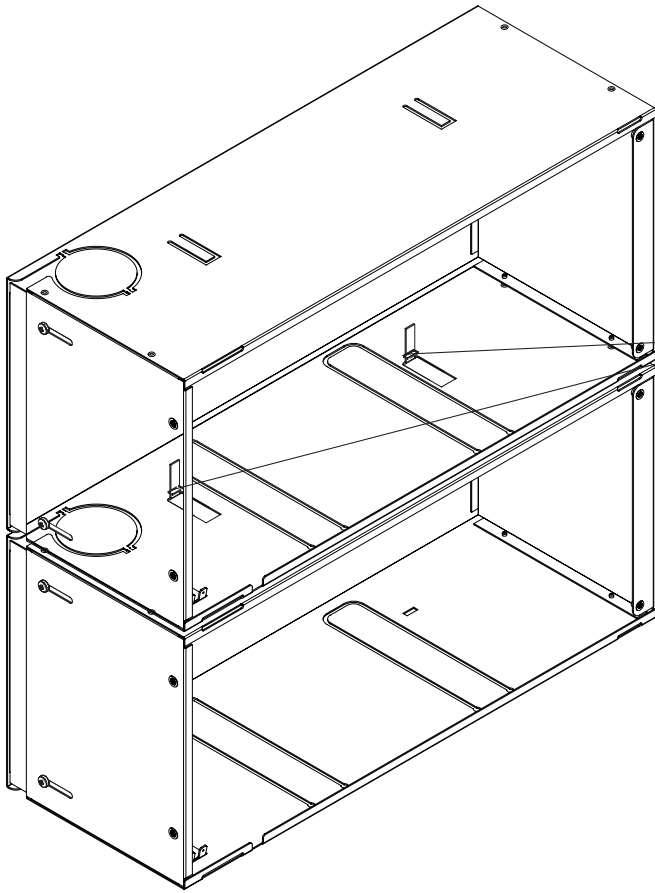


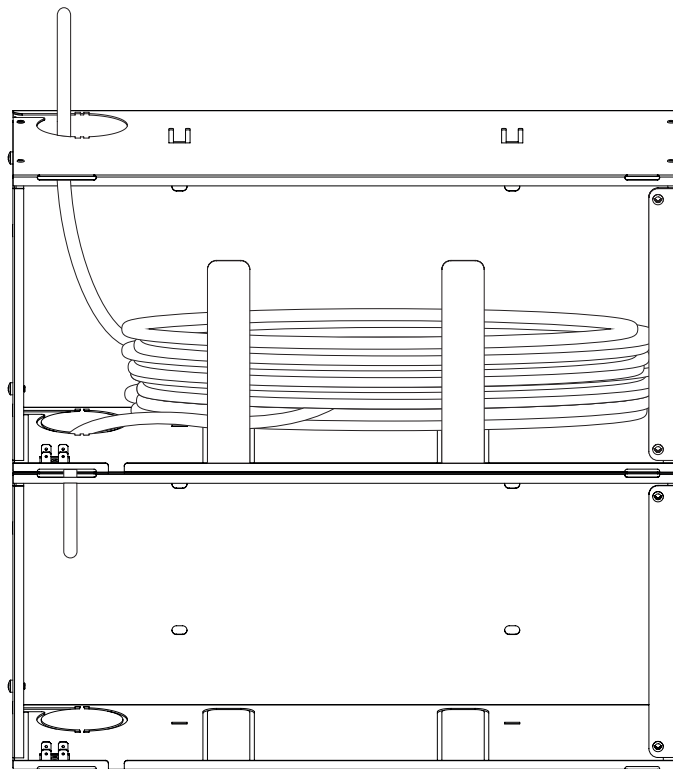
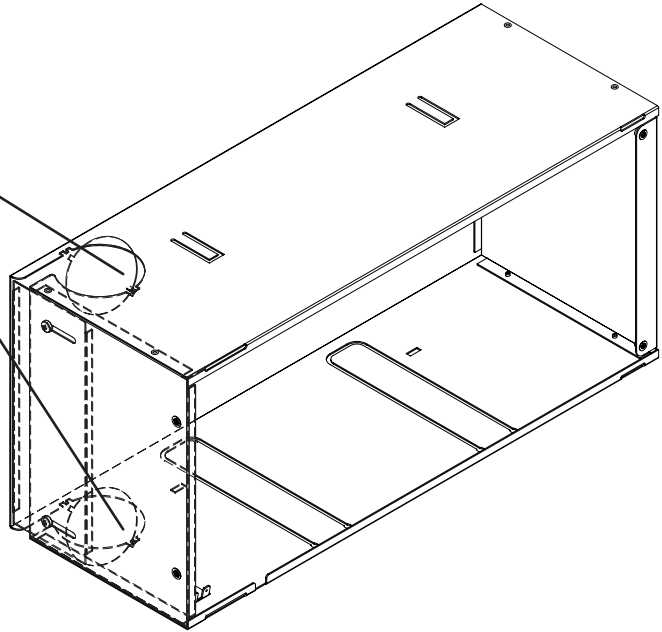
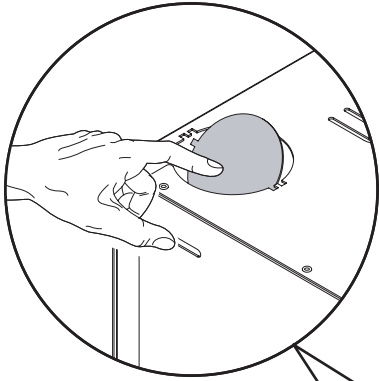


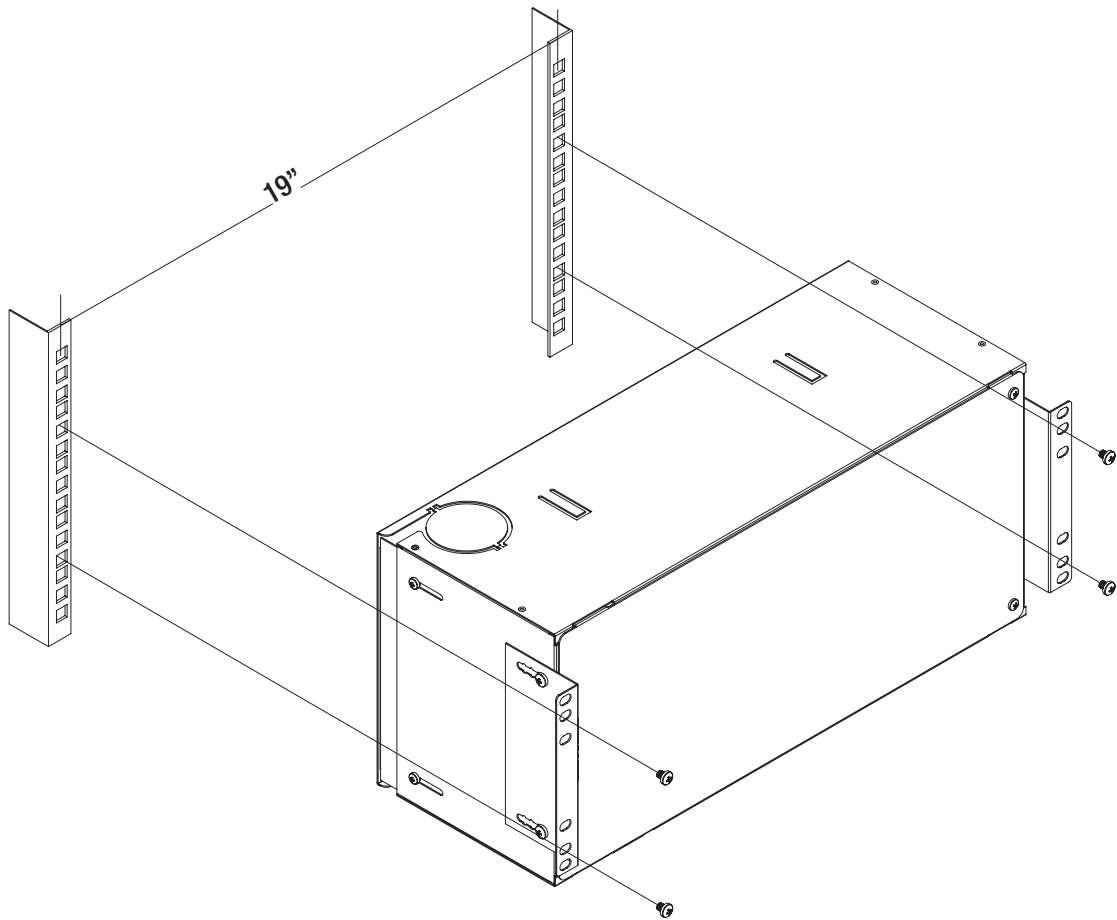
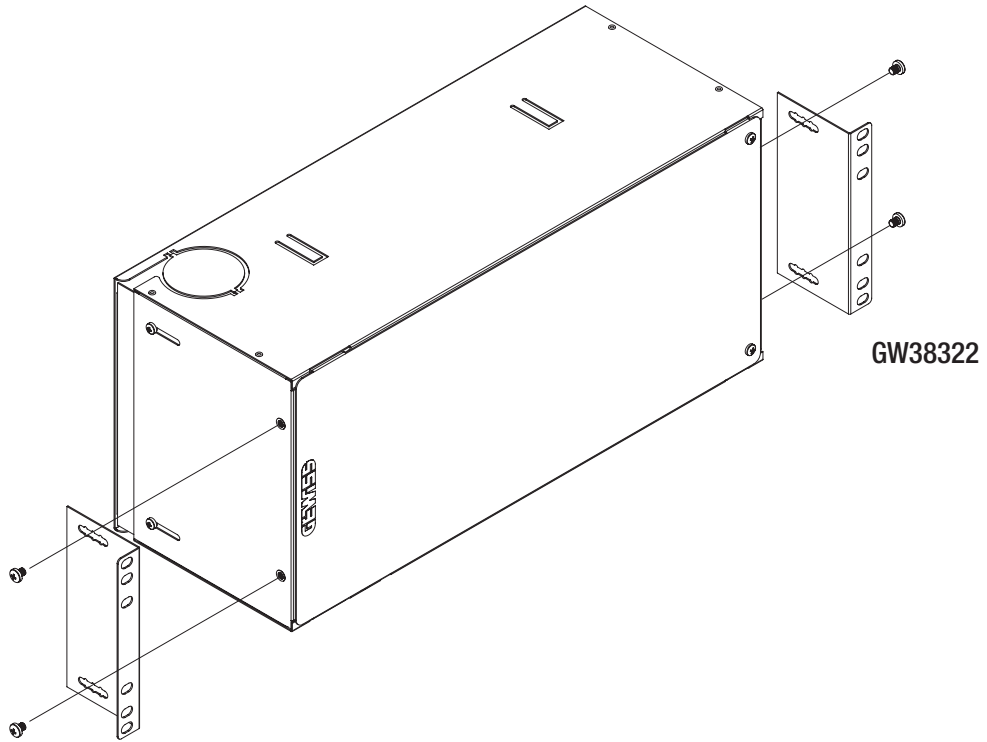


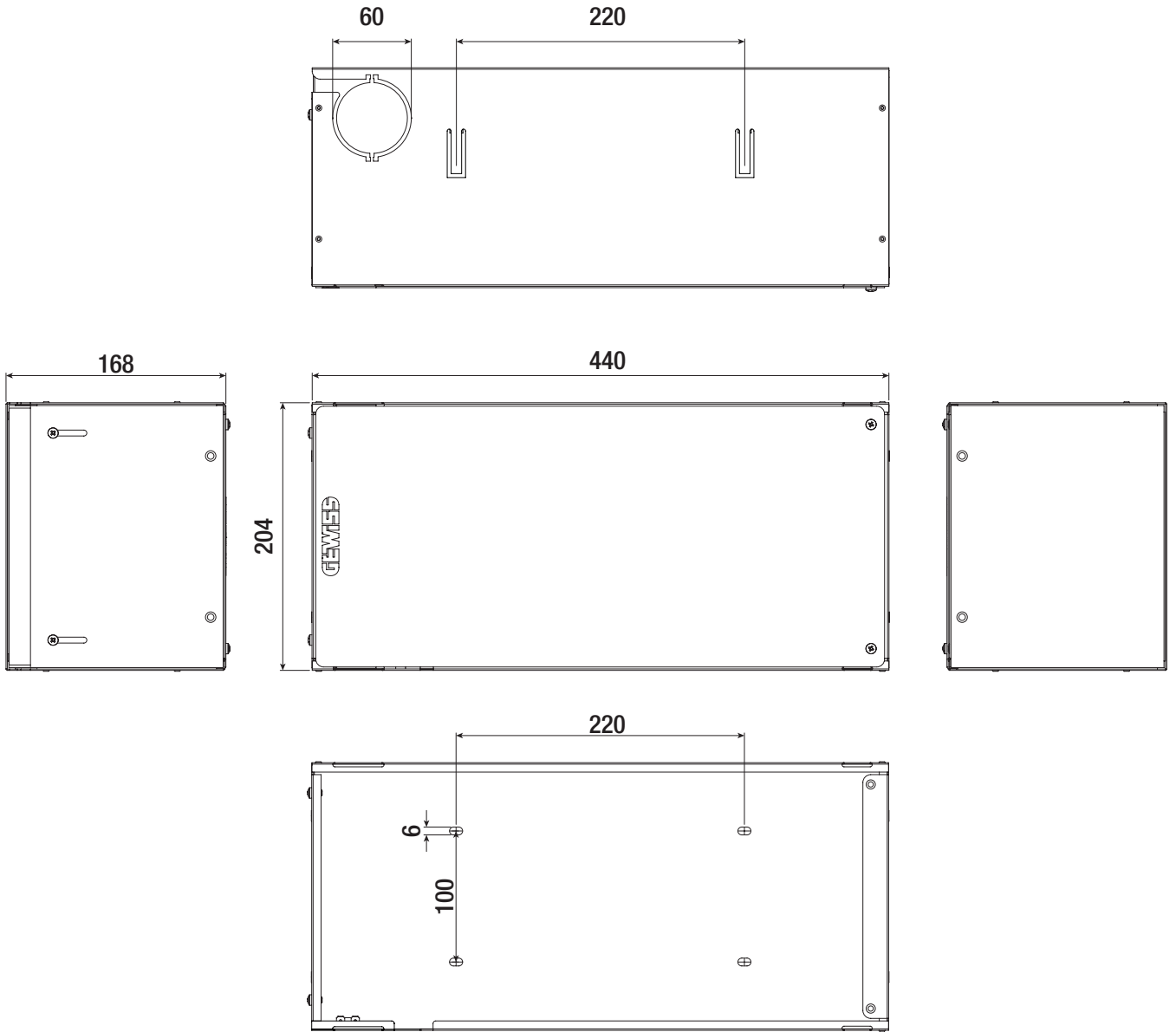
GW38301  
GW38302











Punto di contatto indicato in adempimento ai fini delle direttive e regolamenti UE applicabili:  
Contact details according to the relevant European Directives and Regulations:

GEWISS S.p.A. Via A.Volta, 1 IT-24069 Cenate Sotto (BG) Italy tel: +39 035 946 111 E-mail: [qualitymarks@gewiss.com](mailto:qualitymarks@gewiss.com)



**+39 035 946 111**  
8.30 - 12.30 / 14.00 - 18.00  
lunedì - venerdì - monday - friday



**+39 035 946 260**



**sat@gewiss.com**  
**www.gewiss.com**