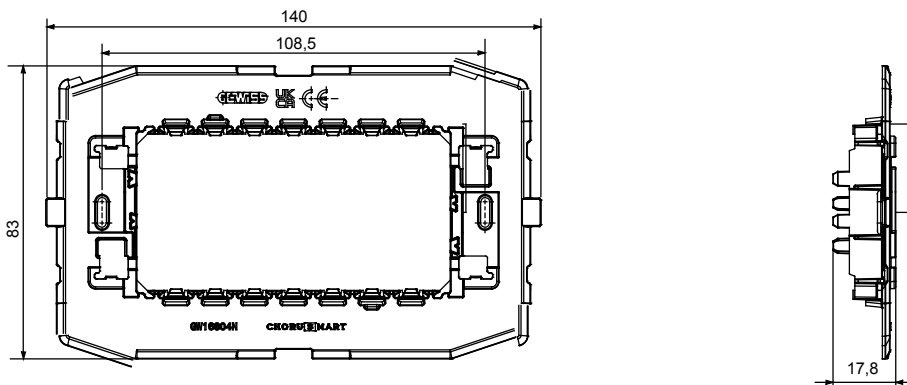




Support for fixing modular devices of the ChoruSmart residential series, made of technopolymer with ribenhanced structure that guarantees high performance. Suitable for flush-mount or wall-mount boxes, equipped with screw fixing systems. The convenient front coupling/disconnect system of ChoruSmart modular devices also allows you to house modular devices with 1/2, 1, 2 and 3 modules.

Description	4 modules	Characteristics	Halogen free
Fixing	2 screws (included)	For box	4 modules
Glow wire test	650 °C	Thermo-pressure with ball	70 °C
Standard	EN 60669-1	Compatibility	For EGO SMART Plate (also compatible with EGO and other ChoruSmart plates)
Electrocod	0121		

DIMENSIONAL



TECHNICAL SYMBOLOGY



650 °C



70 °C

STANDARDS/APPROVALS

