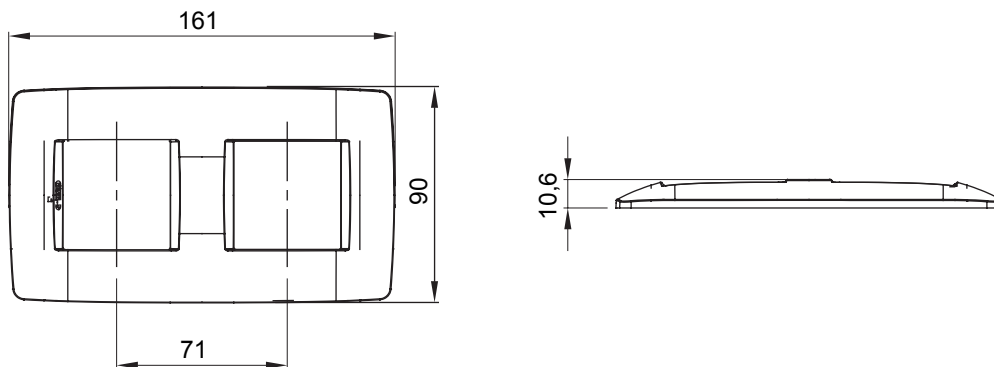




Range of ChoruSmart domestic series plates, made in a wide variety of shapes, colours, materials and finishes. It includes five different shapes (ONE, GEO, EGO, LUX, ICE and ICE Touch) for rectangular boxes with a capacity of up to 12 modules and three different shapes (ONE International, GEO International and LUX International) suitable for round/square boxes, both single and combined in horizontal or vertical configurations, with a capacity of 2 up to 2+2+2+2 modules. All ChoruSmart domestic series plates use the same supports, without the need for additional adapters. The range also includes blank plates, watertight IP55 plates and contour plates.

|                   |   |                           |               |
|-------------------|---|---------------------------|---------------|
| Family            | ONE International                             | Description               | 2+2 modules   |
| Type              | Vertical                                      | Colour                    | Soft copper   |
| Material          | Technopolymer                                 | Finishing                 | Opaque finish |
| For support codes | GW16821, GW16822, GW16823, GW16821N, GW16822N | For box                   | Round/Square  |
| Glow wire test    | 650 °C  | Thermo-pressure with ball | 70 °C         |
| Standard          | EN 60669-1                                    | Electrocod                | 0110          |

### DIMENSIONAL



### TECHNICAL SYMBOLOGY



### STANDARDS/APPROVALS

