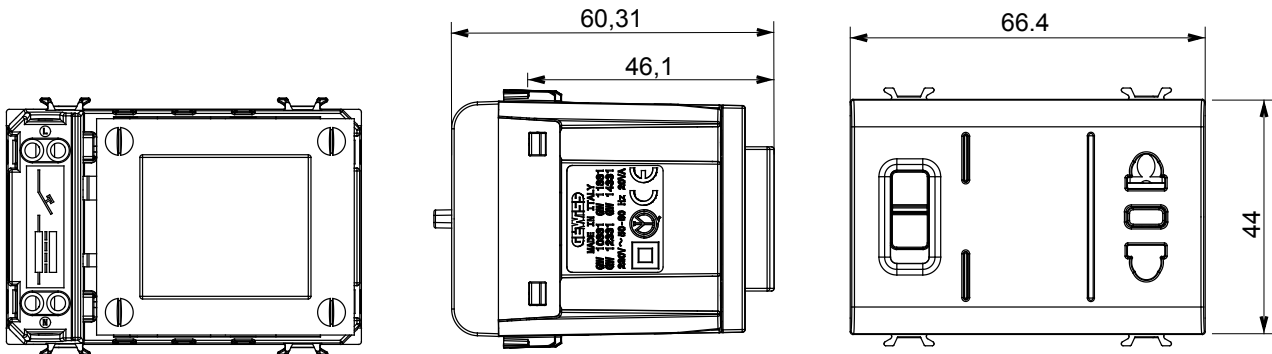




Wide range of control devices, sockets for power supply (conforming to national and international standards) signal pick-up, climate control, comfort management, technical alarm signalling and emergency lighting management. The ChoruSmart modular devices are available in five colours, glossy white, satin white, natural beige, satin black and lacquered titanium and in various sizes from 1/2, 1, 2 and 3 modules. Thanks to the mounting supports for rectangular, square and round boxes, endless combinations can be created with the ChoruSmart range of plates.

Category	Shaver socket-outlet	Description	With isolation transformer
Colour	Satin white	Standard	Euro-American
For plug pins	Ø 4 / 5 - 6,3x1,5 mm	Wiring terminals	With screw
Socket-out type	P11-USA	Standard	IEC 60884-1; EN 61558-2-5
Selectable output voltage	120-230 V ac	Resistance at test voltage	2000 V at 50 Hz for 1 minute
Maximum power	20 VA	Insulation resistance	> 5 MOhm
Supply voltage	230 V ac - 50/60 Hz	Thermo-pressure with ball	125 °C
Glow Wire Test	850 °C	Terminal grip on cable traction	> 50 N
Terminal tightening capacity stranded cables (mm ²)	min. 0,75 - max. 2x4	Terminal tightening capacity solid cables (mm ²)	min. 0,5 - max. 2x2,5
No. modules	3	Electrocod	0131
Material	Technopolymer		

DIMENSIONAL



TECHNICAL SYMBOLOGY



STANDARDS/APPROVALS

