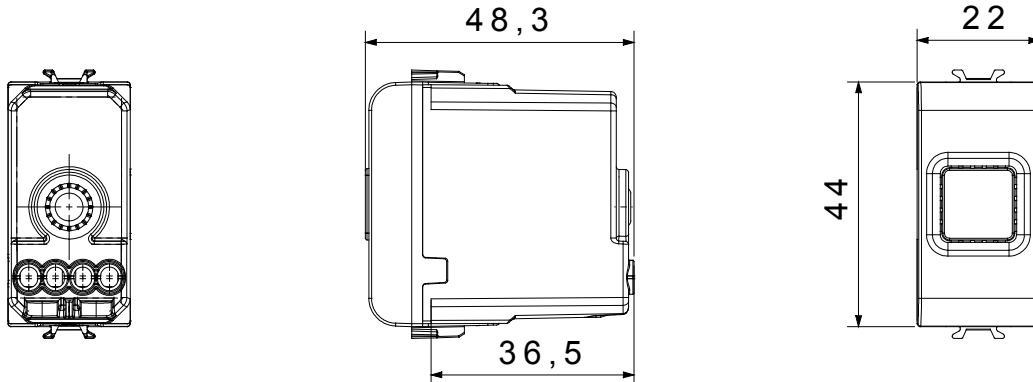




Wide range of control devices, sockets for power supply (conforming to national and international standards) signal pick-up, climate control, comfort management, technical alarm signalling and emergency lighting management. The ChoruSmart modular devices are available in five colours, glossy white, satin white, natural beige, satin black and lacquered titanium and in various sizes from 1/2, 1, 2 and 3 modules. Thanks to the mounting supports for rectangular, square and round boxes, endless combinations can be created with the ChoruSmart range of plates.

Category	Audible signalling	Description	Buzzer
Colour	Glossy Titanium	Supply voltage	230 V ac - 50 Hz
Thermo-pressure with ball	125 °C	Sound intensity	70 dB (at 1 m)
Glow Wire Test	850 °C	Max power consumption	8 VA
No. modules	1	Wiring terminals	With screw
Material	Technopolymer		

#### DIMENSIONAL



#### TECHNICAL SYMBOLOGY



#### STANDARDS/APPROVALS

