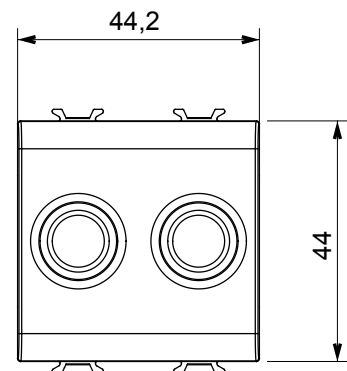
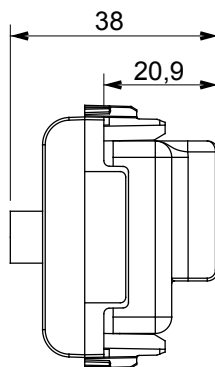
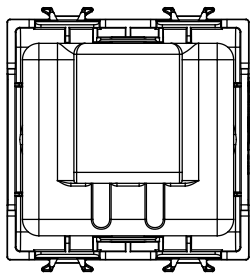




A range of ChoruSmart modular devices and plates made of antibacterial technopolymer in a glossy white finish, suitable for use in hospitals, nursing homes, schools and wherever cleanness and hygiene are essential. The effective silver-ion antibacterial treatment can reduce bacterial growth by 99% within 24 hours and has been verified by certified laboratory testing in accordance with standard ISO 22196 (analysis of major strains of Staphylococcus aureus and E. coli bacterial species).

Category	TV/SAT socket-outlet	Description	Direct
Colour	Glossy white	Attenuation	0 dB
Connectors	TV-SAT	Standard	EN 60728-4; IEC 61169-2; IEC 61169-24
No. modules	2	Cable fixing	With screw
Case	Pressure casting zamak metal body	Electrocod	0131
Material	Antibacterial tecnopolymer		

### DIMENSIONAL



### STANDARDS/APPROVALS

