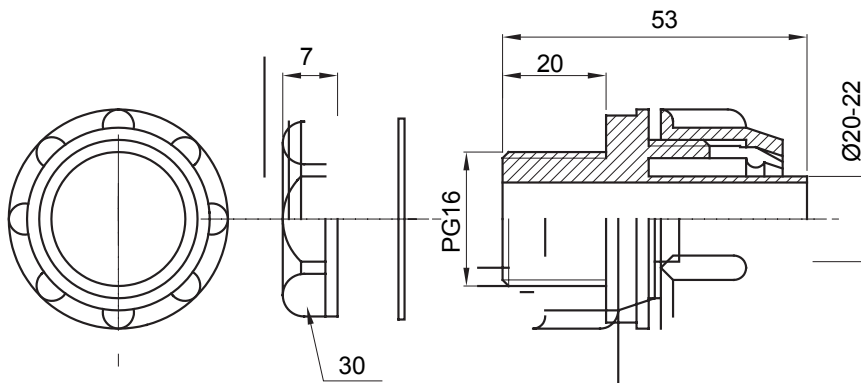




Straight and revolving coupling device for sheath with IP54 protection degree.

Colour	Grey RAL 7035	IP degree	IP54
PG pitch	16	Sheath Ø (mm)	20-22
Type	Fixed	Electrocod	210

### DIMENSIONAL



### TECHNICAL SYMBOLOGY

## IP

IP54

### STANDARDS/APPROVALS