

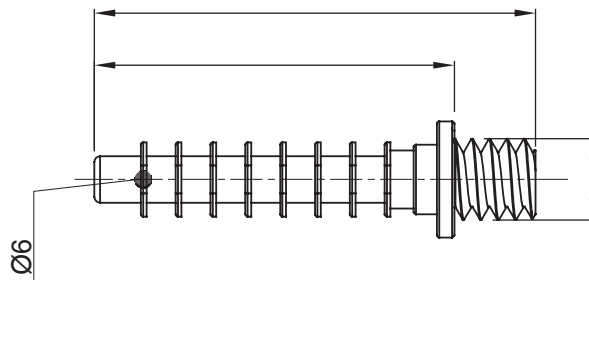


Systems of accessories for electrical installations used for residential, tertiary and industrial applications. The system consists of fasteners for pipes and cables, cable fittings, accessories for rigid pipes (RK Series) and flexible conduit (DF Series). The system include also a wide variety of cable ties (52FS Range) and terminal blocks (44 Range).

Colour	Grey RAL 7035	IP degree	-
Characteristics	1 Impact insert included	For mounting holes Ø (mm)	6
Glow Wire Test	750 °C	Operating temperature	-5 +60 °C
Type of material	Halogen-free in compliance with EN 60754-2	Electrocod	21221
Standard	EN 61386-1 (when applicable)		

### DIMENSIONAL

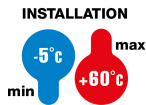
8  
1



### TECHNICAL SYMBOLOGY

IP

GWT



750 °C

### STANDARDS/APPROVALS

