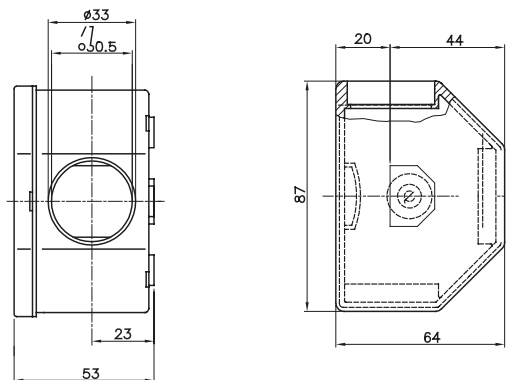




Routing components for rigid protective conduits with IP40 and IP67 protection degree.

| | | | |
|-------------|---------------|-----------------------|----------|
| Colour | Grey RAL 7035 | Outer dim. LxHxD (mm) | 87x64x53 |
| IP degree | IP54 | Characteristics | - |
| Description | TX3-3 inputs | Electrocod | 21221 |

DIMENSIONAL



TECHNICAL SYMBOLOGY

IP

IP54

STANDARDS/APPROVALS

