



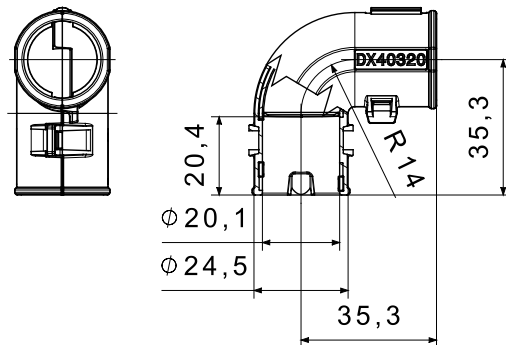
Routing components for rigid protective conduits with IP40 and IP67 protection degree.

#### GENERAL INFORMATION

#### MECHANICAL AND FUNCTIONAL CHARACTERISTICS

Standard	EN 61386-1 (when applicable)	Conduits Ø (mm)	20
Type	Rigid conduit accessories	Operating temperature	-5 +60 °C
Description	Inspectable bend	IP degree	IP40
Type of material	Halogen free in compliance with EN 50642	Glow Wire Test	750 °C
Colour	Grey RAL 7035		

#### DIMENSIONAL



#### TECHNICAL SYMBOLOGY



750 °C

#### STANDARDS/APPROVALS