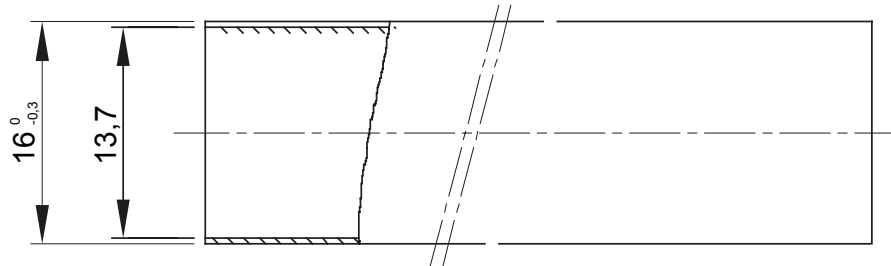
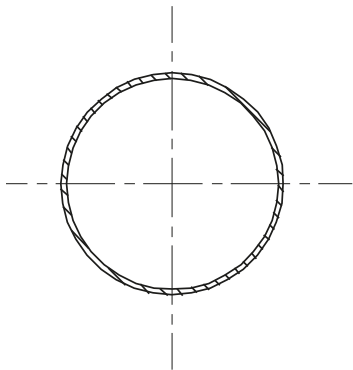




Light rigid conduits RK9 range, made of PVC, classification 22211, available in the following versions: 2 m length, grey RAL 7035 colour and five diameters, from 16 to 40 mm with sleeved end; 3 m length, grey RAL 7035 colour and six diameters, from 16 to 50 mm with straight end or sleeved end; 3 m length, white RAL 9010 colour and five diameters, from 16 to 40 mm with straight end. Suitable for electrical and/or data transmission systems and to be installed in uncrowded areas. They represent the best solution for those who do not require a high impact resistance but at the same time do not want to compromise on quality. They can be integrated with spiraled sheaths and wall mounting enclosures. Completing the offer, a wide range of accessories and routing components from IP40 to IP67 protection rating. The RK9 conduits comply with Product Standard EN 61386-1 and EN 61386-21.

Colour	Grey RAL 7035	Material	PVC
Length (m)	3	Conduits Ø (mm)	16
Glow Wire Test	960 °C	Resistance to compression	2 (Light - 320 N)
Resistance to impact	2 (Light - 320 N)	Resistance to bending	1 (Rigid)
Electrical characteristics	2 (With electrical insulating characteristics)	Protection against ingress of solid objects without accessories	0
Protection against ingress of water objects without accessories	0	Resistance against corrosion	Not applicable to plastic conduit systems
Fire resistance	1 (Non-flame propagating)	Protection against ingress of solid objects with accessories	4 (Light - 320 N)
Protection against ingress of water with accessories	0 (depends on the accessories used)	Standard	EN 61386-1 EN 61386-22
Family	RK9	Classification	22211

### DIMENSIONAL



### TECHNICAL SYMBOLOGY



960 °C

### STANDARDS/APPROVALS

