

ELIA FL Mini



ELIA FL Mini is a low-power LED floodlight for indoor and outdoor architectural lighting for both residential and professional applications, such as façades, gardens, green areas and walkways. Available in 2 sizes and 3 power steps (10 W, 20 W and 30 W), the range allows for great flexibility with its multiple possible combinations: 2 colour temperature options (3,000 K warm white and 4,000 K neutral white) with a colour rendering index of more than 80, and 2 optics options (100° or asymmetrical). The fixture is equipped with an integrated On/Off electronic power supply, and it is also available with an integrated motion and luminosity sensor. The luminaire can be ceiling, wall or floor-mounted through the integrated adjustable steel bracket, and thanks to its black powder-coated die-cast aluminium body and its front glass, it is tough, durable and able to withstand harsh environmental conditions.

GENERAL INFORMATION

Context	Residential facades, outdoor areas and garden lighting
Luminaire	Low-power LED floodlight with built-in sensor
Zastosowanie	Wewnętrzny/Zewnętrzny
Unique digital code (Datamatrix)	Currently not present
Kolor	Czarny
Rodzaj źródła światła	LED
Moc	10 W
LED Lifetime	L80B50 (Tq=25°C) > 100.000 h
Masa (kg)	0.86

OPTIC AND ILLUMINATING FEATURES

Optyka	100°
Unified Glare Rating	ULOR = 0%
Moc z oprawy (lm)	1400
Efficacy (lm/W)	140
Temperatura Barwowa	3000 K
Colour Rendering Index	CRI 80
Standard Deviation Colour Matching	SDCM = 5
Photobiological Risk Class	RG1
Norma	EN 60598-1; EN 60598-2-5; IEC/TR 62778; EN 62493

Gwarancja

Gwarancja	3 lata
Temperatura przechowywania	-40° +80°
Operating temperature	-20 +40 °C

MATERIALS

Body	Aluminium odlewane ciśnieniowo
Typ osłony	Tempered 4mm-thick surface glass with Gewiss logo

ELETRICAL AND LIGHTING FEATURES

Zasilanie wyjściowe	220-240 V
Prąd częstotliwość (Hz)	50/60 Hz
Driver	Wbudowana
Driver failure rate	F10 (Tq=25°C) > 80.000 h
Overvoltage protection	DM 1KV / CM 2KV

Optic

Optic	High-efficiency lens and reflector unit
Gasket	-
Locking Hook	-
External screw	Stainless steel
Colour	Powder coating

Control System

Control System	PIR Sensor
----------------	------------

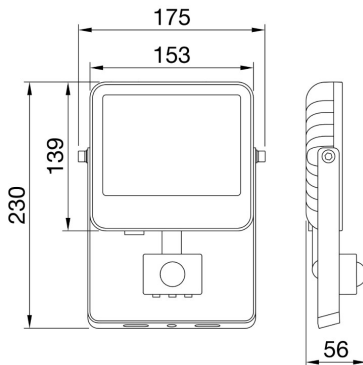
STANDARDS AND APPROVALS

Klasyfikacja	-
Urządzenie z ograniczoną temperaturą powierzchni	-
Świadectwo wg DIN 18032-3	-
IPEA	Green Areas A6+
Klasa Izolacji	I
Ochrona IP	IP65
Odporność na wstrząsy	IK08
Próba rozżarzoną drutem	750 °C

INSTALLATION AND MAINTENANCE

Mounting and installation	Ceiling - Wall - Floor
Tilt	Rotation on bracket
Wiring	With power cable
Mocowanie	Via integrated bracket
Light source replaceability	Non-replaceable
Controlgear replaceability	Non-replaceable
Driver Box	Wbudowana
Maksymalna powierzchnia wystawiona na działanie wiatru	0,03 m2

DIMENSIONAL



PHOTOMETRIC DISTRIBUTION

TECHNICAL SYMBOLOGY



IP

IK

GWT

0,03 m2

IP65

IK08

750 °C

ELIA FL Mini

STANDARDS/APPROVALS

