

ELIA FL



ELIA FL is an LED floodlight, available in medium and high-power versions for outdoor and indoor applications in industrial, tertiary and sports contexts, such as façades, warehouses, car parks and sports fields. Available in 4 different sizes and power steps (50 W, 100 W, 150 W and 200 W), the range allows for great flexibility with its multiple possible combinations: 3 colour temperature options (3,000 K warm white, 4,000 K neutral white and 5,700 K cool white) with a colour rendering index of more than 80; 2 integrated power supply options (On/Off and DALI); and 2 optics options (60° and asymmetrical). The luminaire can be ceiling, wall or floor-mounted through the integrated adjustable steel bracket with a protractor, or pole-mounted (in poles with diameter up to 61 mm) through a dedicated accessory (to be ordered separately). Thanks to its black powder-coated die-cast aluminium body and its front glass, the fixture is tough, durable (IP66 and IK08) and is able to withstand harsh environmental conditions (such as ambient temperature variations from -30°C to +50°C).

GENERAL INFORMATION

Context	Industry, logistics, facades, sporting facilities and outdoor area lighting
Luminaire	LED luminaire with mid and high lumen power
Zastosowanie	Wewnętrzny/Zewnętrzny
Unique digital code (Datamatrix)	Currently not present
Kolor	Czarny
Rodzaj źródła światła	LED
Moc	200 W
LED Lifetime	L80B50 (Tq=25°C) = 80.000 h
Masa (kg)	4.8

OPTIC AND ILLUMINATING FEATURES

Optyka	60°
Unified Glare Rating	ULOR = 0%
Moc z oprawy (lm)	27900
Efficacy (lm/W)	140
Temperatura Barwowa	5700 K
Colour Rendering Index	CRI 80
Standard Deviation Colour Matching	SDCM = 5
Photobiological Risk Class	RG1
Norma	EN 60598-1; EN 60598-2-5; IEC/TR 62778; EN 62493

WARRANTY

Gwarancja	5 lat
Temperatura przechowywania	-40° +80°
Operating temperature	-30°C + +50 °C

MATERIALS

Body	Aluminium odlewane ciśnieniowo
Typ osłony	Tempered 4mm-thick surface glass with Gewiss logo

ELECTRICAL AND LIGHTING FEATURES

Zasilanie wyjściowe	220-240 V
Prąd częstotliwość (Hz)	50/60 Hz
Driver	Wbudowana
Driver failure rate	F10 (Tq=25°C) > 80.000 h
Overvoltage protection	DM 4 kV/ CM 4 kV

Optic	High-efficiency lens and reflector unit
-------	-----------------------------------------

Control System	ON / OFF
----------------	----------

GASKET

Gasket	-
Locking Hook	-
External screw	Stainless steel

INSTALLATION AND MAINTENANCE

Mounting and installation	Floodlight mast - Ceiling - Wall - Ground
Tilt	Rotation on bracket with integrated goniometer

Colour	Powder coating
--------	----------------

Wiring	With power cable
--------	------------------

STANDARDS AND APPROVALS

Klasyfikacja	-
Urządzenie z ograniczoną temperaturą powierzchni	-
Świadectwo wg DIN 18032-3	Not available
IPEA	-
Klasa Izolacji	I
Ochrona IP	IP66
Odporność na wstrząsy	IK08
Próba rozżarzonym drutem	750 °C

Mocowanie	Via integrated bracket
-----------	------------------------

Light souce replaceability	Non-replaceable
----------------------------	-----------------

Controlgear replaceability	By professional
----------------------------	-----------------

Driver Box	Wbudowana
------------	-----------

Maksymalna powierzchnia wystawiona na działanie wiatru	0,095 m2
--------------------------------------------------------	----------

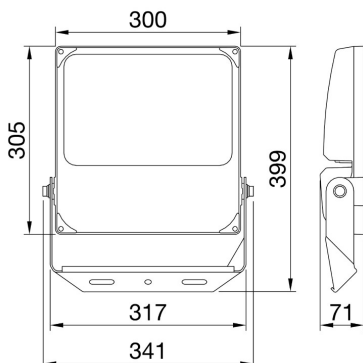
	Wbudowana
--	-----------

	-
--	---

	-
--	---

	-
--	---

DIMENSIONAL



PHOTOMETRIC DISTRIBUTION

ELIA FL

TECHNICAL SYMBOLOGY




0,095 m2



IP
IP66

IK
IK08

GWT
750 °C

STANDARDS/APPROVALS

