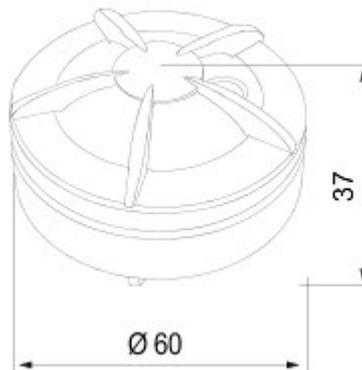




Wirelessly connected device with Zigbee protocol from the ChoruSmart system. It can be used with Home Gateway for "CONNECTED SMART HOME" solutions and with Smart Gateway for "HOME AND BUILDING PRO" solutions. Ideal for residential and small commercial offices, new builds and renovations. Zigbee technology is a secure and reliable technology in which data is encrypted and every node within the network ensures reachability across all devices (mesh network). This device can also be used without Home Gateway and Smart Gateway (manual configuration with dip-switch or via IoT Configurator), in which case supervision via the app is not possible.

kategoria	Czujnik H2O	Kolor	Biały
Materiał	Technopolimerowy	Protokół komunikacyjny	Zigbee (IEEE 802.15.4)
Zasilanie wyjściowe	Zasilanie akumulatorowe	Akumulatory zasilające	Wymienne CR123
Moc wyjściowa	8 dBm	Wyjście sygnału dźwiękowego	85 dB/3 m
Czujnik temperatury	0...50 °C	Norma	2014/53/EU, EN 60669-2-1, ETSI EN 300 328
Ochrona IP	IP20	Długość Temperatury	0 ÷ +50 °C
Temperatura przechowywania	-20 ÷ +80 °C	Wilgotność względna (bez kondensacji)	10 ÷ 95%
Wymiary (mm)	Ø 60x37	Electrocod	051A

### DIMENSIONAL



### TECHNICAL SYMBOLOGY

**IP**

IP20

### STANDARDS/APPROVALS

