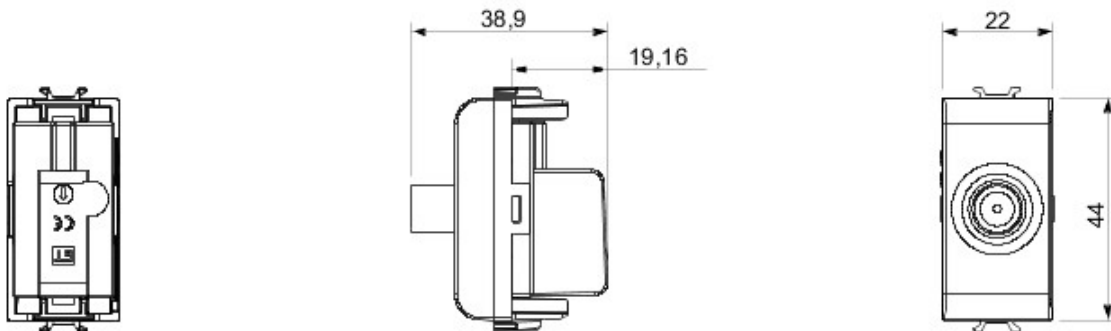




Wide range of control devices, sockets for power supply (conforming to national and international standards) signal pick-up, climate control, comfort management, technical alarm signalling and emergency lighting management. The ChoruSmart modular devices are available in five colours, glossy white, satin white, natural beige, satin black and lacquered titanium and in various sizes from 1/2, 1, 2 and 3 modules. Thanks to the mounting supports for rectangular, square and round boxes, endless combinations can be created with the ChoruSmart range of plates.

kategoria	Gniazdo elektryczne TV/SAT	Opis	Bezpośredni
Kolor	Naturalny satynowy bez	Tłumienność	0 dB
Impulsy	5-2400 MHz	Ekranowanie	Klasa A
Do przyłącza lampy	F-Zeńskie	Norma	EN 60728-4; IEC 61169-24
Liczba modułów Moduły	1	Mocowanie kabli	Ze śrubą
Obudowa	Korpus metalowy odlewany ciśnieniowo	Electrocod	0131
Materiał	Technopolimerowy		

### DIMENSIONAL



### STANDARDS/APPROVALS



GEWISS S.p.A. Via A. Volta, 1  
24069 Cenate Sotto - Bergamo - Italy  
tel. +39 035 94 61 11 fax +39 035 94 69 09

www.gewiss.com  
sat@gewiss.com  
Last update 11/05/2024

Data, measures, designs and pictures are shown only as informative purposes, and could be changed without previous notice