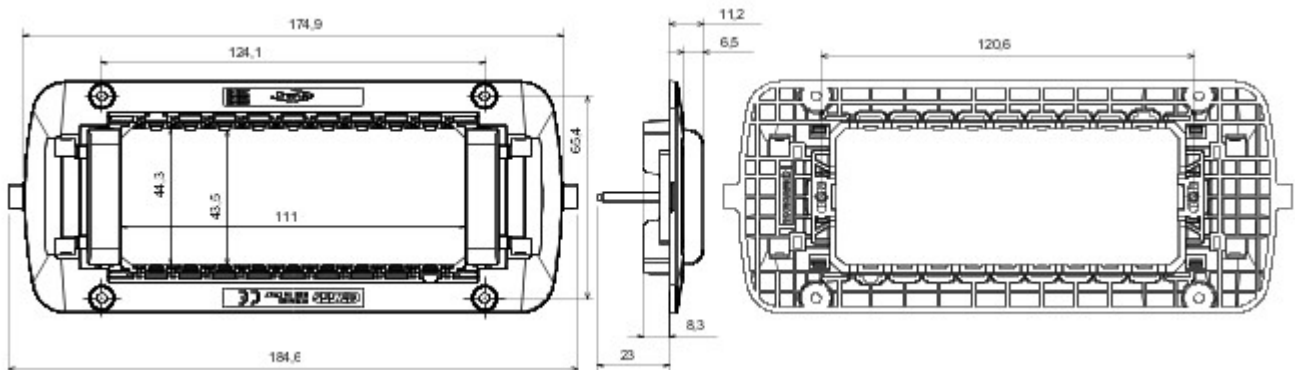




Wiring devices system characterized by its profile and shape inspired to the Chorus family feeling. Wide range of plates with an Italian design, articulated into two families, GEO and LUX cover plates, available in many materials and finishes. The range is available in three colors: glossy white, satin black, painted titanium and fits in 3x3 inches (1-gang) and 3x6 inches (2-gang) British Standard boxes. Range expandable thanks to the Chorus modular devices.

Opis	2 miejsca - 5 modułów	Kolor	Biały
Do puszki	2 moduły - 5 modułów standard brytyjski	Mocowanie	Ze śrubami (zawarte w zestawie M3,5x29)
Próba rozładowanym drutem	650 °C	Twardość kulkowa	70 °C
Norma	(EN 60669-1)		

DIMENSIONAL



TECHNICAL SYMBOLOGY



STANDARDS/APPROVALS

