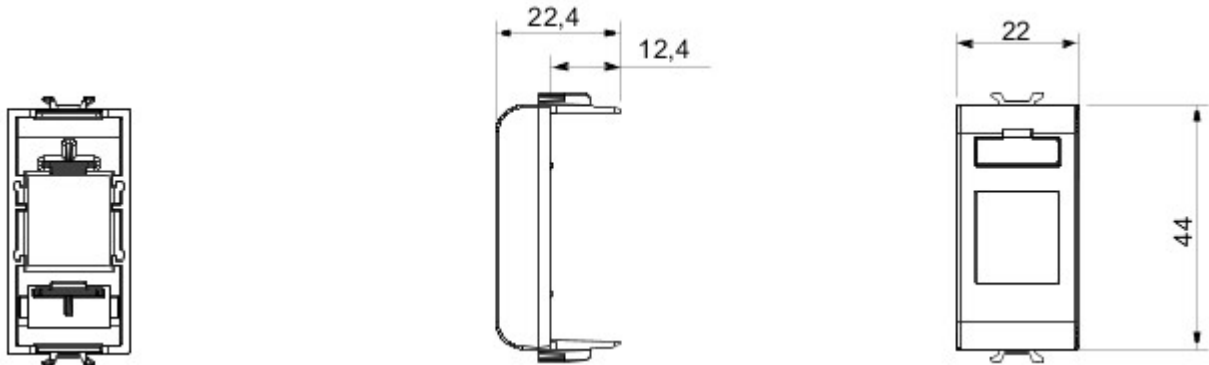




A range of ChoruSmart modular devices and plates made of antibacterial technopolymer in a glossy white finish, suitable for use in hospitals, nursing homes, schools and wherever cleanness and hygiene are essential. The effective silver-ion antibacterial treatment can reduce bacterial growth by 99% within 24 hours and has been verified by certified laboratory testing in accordance with standard ISO 22196 (analysis of major strains of Staphylococcus aureus and E. coli bacterial species).

kategoria	Przej?ciówka	Kolor	B?yszczy bia?y
Norma	ISO 22196	Kompatybilno??	AMP / Keystone Jack
Liczba modu?ów Modu?y	1	Electrocod	0131
Materia?	Antybakteryjny tecpolimer		

### DIMENSIONAL



### STANDARDS/APPROVALS



GEWISS S.p.A. Via A. Volta, 1  
24069 Cenate Sotto - Bergamo - Italy  
tel. +39 035 94 61 11 fax +39 035 94 69 09

www.gewiss.com  
sat@gewiss.com  
Last update 07/05/2024

Data, measures, designs and pictures are shown only as informative purposes, and could be changed without previous notice