

Product Data Sheet

GW10423AB

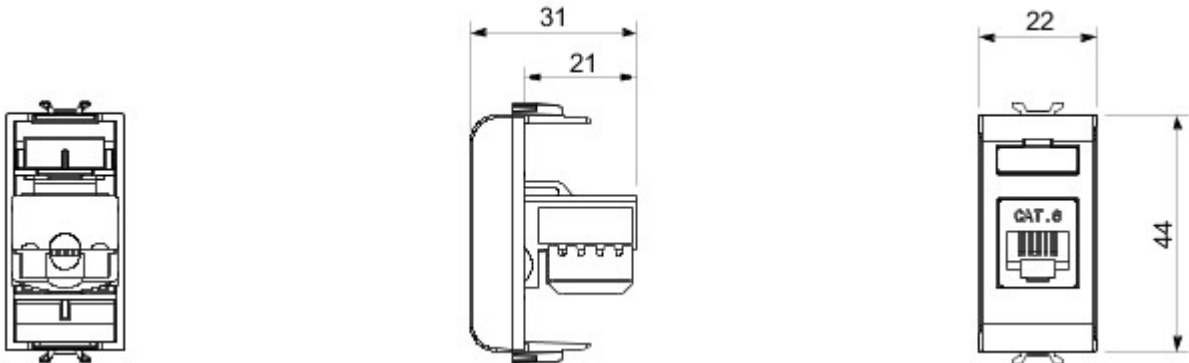
CHORUSMART - Domestic range



A range of ChoruSmart modular devices and plates made of antibacterial technopolymer in a glossy white finish, suitable for use in hospitals, nursing homes, schools and wherever cleanness and hygiene are essential. The effective silver-ion antibacterial treatment can reduce bacterial growth by 99% within 24 hours and has been verified by certified laboratory testing in accordance with standard ISO 22196 (analysis of major strains of Staphylococcus aureus and E. coli bacterial species).

kategoria	Gniazdo danych	Opis	RJ45
Kolor	B?yszcz?cy bia?y	Zastosowanie	6
Kable	UTP	przy??cza	Beznarz?dziowy
Liczba pary	4	Norma	EN 60603-7-4
Liczba modu?ów Modu?y	1	Electrocod	3722
Materia?	Antybakteryjny tecnopolimer		

DIMENSIONAL



STANDARDS/APPROVALS



GEWISS S.p.A. Via A. Volta, 1
24069 Cenate Sotto - Bergamo - Italy
tel. +39 035 94 61 11 fax +39 035 94 69 09

www.gewiss.com
sat@gewiss.com
Last update 02/05/2024

Data, measures, designs and pictures are shown only as informative purposes, and could be changed without previous notice