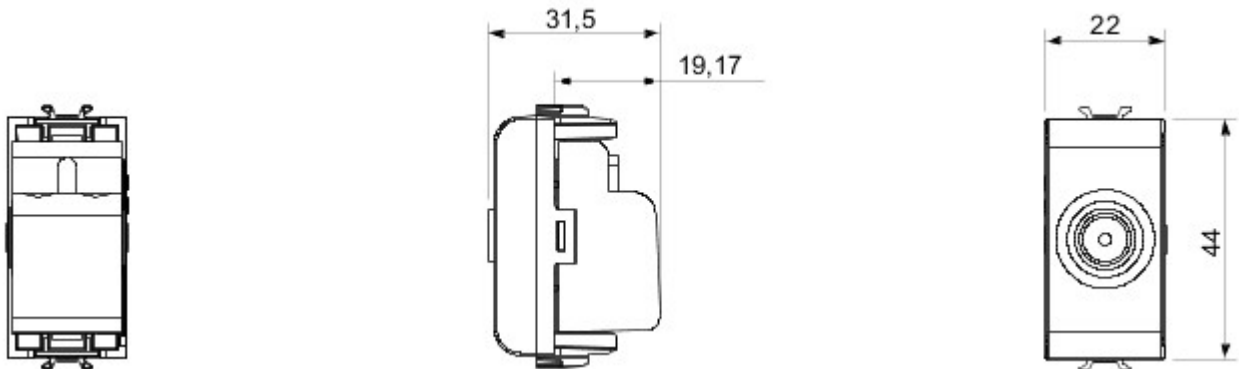




Wide range of control devices, sockets for power supply (conforming to national and international standards) signal pick-up, climate control, comfort management, technical alarm signalling and emergency lighting management. The ChoruSmart modular devices are available in five colours, glossy white, satin white, natural beige, satin black and lacquered titanium and in various sizes from 1/2, 1, 2 and 3 modules. Thanks to the mounting supports for rectangular, square and round boxes, endless combinations can be created with the ChoruSmart range of plates.

| | | | |
|-----------------------|--------------------------------------|-----------------|-------------------------|
| kategoria | Gniazdo elektryczne TV | Opis | Przepust |
| Kolor | Satynowa biel | T?umienno?? | 5 dB |
| Impulsy | 5-2400 MHz | Ekranowanie | Klasa A |
| Do przy??cza lampy | IEC-M?ski | Norma | EN 60728-4; IEC 61169-2 |
| Liczba modu?ów Modu?y | 1 | Mocowanie kabli | Ze ?rub? |
| Obudowa | Korpus metalowy odlewany ci?nieniowo | Electrocod | 0131 |
| Materia? | Technopolimerowy | | |

DIMENSIONAL



STANDARDS/APPROVALS



GEWISS S.p.A. Via A. Volta, 1
24069 Cenate Sotto - Bergamo - Italy
tel. +39 035 94 61 11 fax +39 035 94 69 09

www.gewiss.com
sat@gewiss.com
Last update 07/05/2024

Data, measures, designs and pictures are shown only as informative purposes, and could be changed without previous notice