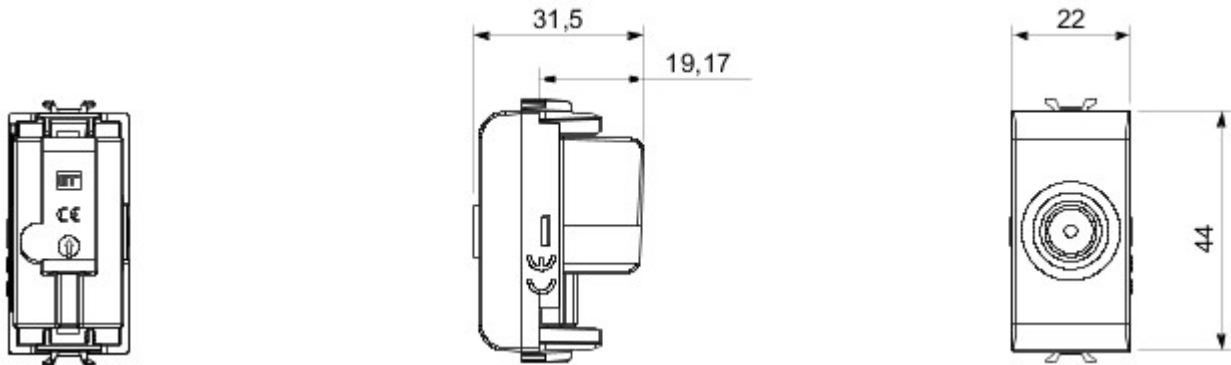




A range of ChoruSmart modular devices and plates made of antibacterial technopolymer in a glossy white finish, suitable for use in hospitals, nursing homes, schools and wherever cleanness and hygiene are essential. The effective silver-ion antibacterial treatment can reduce bacterial growth by 99% within 24 hours and has been verified by certified laboratory testing in accordance with standard ISO 22196 (analysis of major strains of Staphylococcus aureus and E. coli bacterial species).

kategoria	Gniazdo elektryczne TV	Opis	Bezpośredni
Kolor	Glossy white	Tłumienność	0 dB
Impulsy	5-2400 MHz	Ekranowanie	Klasa A
Do przyłącza lampy	IEC-Męski	Norma	EN 60728-4; IEC 61169-2
Liczba modułów Moduły	1	Cable fixing	Ze śrubą
Case	Pressure casting zamak metal body	Electrocod	0131
Materiał	Antibacterial technopolymer		

DIMENSIONAL



STANDARDS/APPROVALS



GEWISS S.p.A. Via A. Volta, 1
24069 Cenate Sotto - Bergamo - Italy
tel. +39 035 94 61 11 fax +39 035 94 69 09

www.gewiss.com
sat@gewiss.com
Last update 06/06/2023

Data, measures, designs and pictures are shown only as informative purposes, and could be changed without previous notice