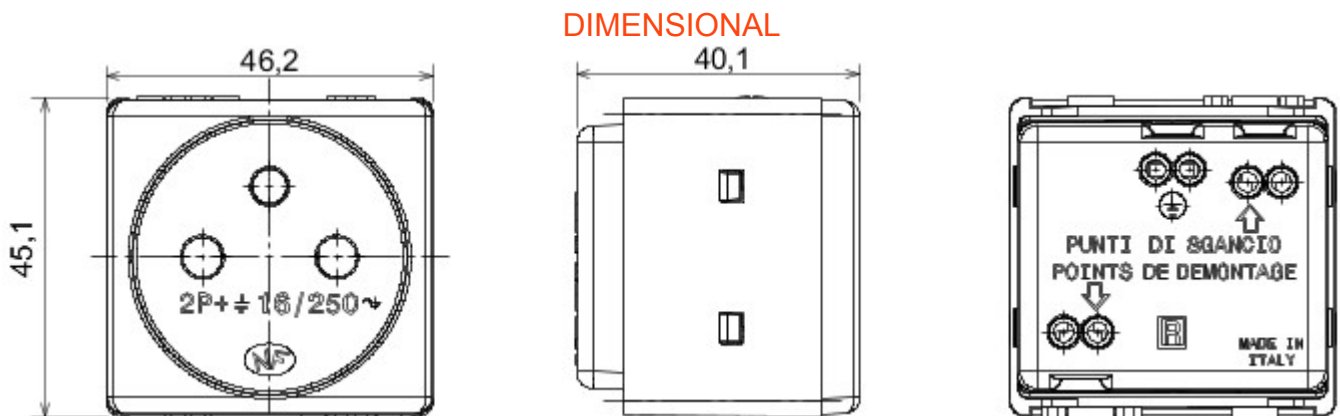


| | | | |
|---------------------|-----------------|----------------------|--------------------------|
| kategoria | Gniazdo-wyjście | Kolor | Biały |
| Norma | Francuski | Liczba SYSTEM Moduły | 2 |
| Do sworznie wtyczki | Ø 4 / 4.8 mm | Opis | 2P+E - 16A |
| Zaciski okablowania | Zaciski śrubowe | wyjściowe | 250 V ac |
| Electrocod | 0131 | Norma | IEC 60884-1; NF C 61-314 |



STANDARDS/APPROVALS



GEWISS S.p.A. Via A. Volta, 1
24069 Cenate Sotto - Bergamo - Italy
tel. +39 035 94 61 11 fax +39 035 94 69 09

www.gewiss.com
sat@gewiss.com
Last update 23/04/2024

Data, measures, designs and pictures are shown only as informative purposes, and could be changed without previous notice