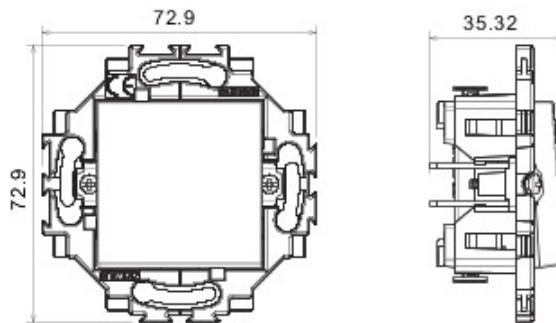


Wiring device system specific for installations in round and square boxes, characterized by an elegant appearance and classic shapes. The plates, realized in technopolymer in seven colors and in different modularities, from 1 up to 5 gang, are installable indifferently in horizontal or in vertical position. The range, developed around a core of monobloc devices, is available in two colors: white and ivory, in glossy finish. Expandable thanks to the Chorus modular devices.

Category	Push-button	Button key	Neutral
Colour	Ivory	Material	Technopolymer
Finishing	Glossy	Description	1P - 10A illuminable
Voltage	250 V ac	Type of terminals	Screwless
Fixing	With clutches/Screws	Glow wire test	850 °C
Thermo-pressure with ball	125 °C	Resistance at test voltage	2000 V at 50 Hz for 1 minute
Insulation resistance	> 5 MOhm	Prolonged operation switch (no.of position changes)	40.000 at In 250 V ac cosØ=0,6
Terminal grip on cable traction	30 N	Terminal tightening capacity	0,5-2x2,5 mm <sup>2</sup> rigid cables
Standard	EN 60669-1; 2014/35/EU		

### DIMENSIONAL



### TECHNICAL SYMBOLOGY



### STANDARDS/APPROVALS

