



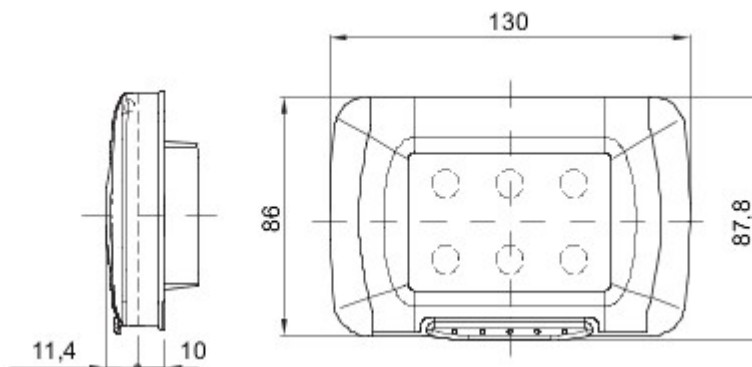
A complete, versatile system of modular containers, perfectly integrable in the SYSTEM domestic range and able to meet the high protection installation requirements of the residential, commercial and industrial sectors. The 27 COMBI range is available both in the IP40 version and in watertight versions with IP55, IP65 and IP66 degree of protection, recommended for all outdoor applications which are subjected to extreme atmospheric conditions.

|                        |                    |                           |             |
|------------------------|--------------------|---------------------------|-------------|
| Description            | 3 gang             | Colour Plate              | Black       |
| Door type              | With membrane      | Door colour               | Transparent |
| For flush mounting box | GW24403, GW24403PM | IP degree                 | IP55        |
| Insulation class       | II                 | Shock resistance          | IK07        |
| Glow Wire Test         | 650 °C             | Thermo-pressure with ball | 70 °C       |
| Standard               | EN 60669-1         | Installation temperature  | -25 +60 °C  |
| Electrocod             | 0110               |                           |             |

#### BEHAVIOUR WITH CHEMICAL AND ATMOSPHERIC AGENTS

| Saline solution | Acids              |           | Bases        |           | Solvents           |               |               |               | Mineral oil        | UV rays   |
|-----------------|--------------------|-----------|--------------|-----------|--------------------|---------------|---------------|---------------|--------------------|-----------|
|                 | Concentrated       | Diluted   | Concentrated | Diluted   | Hexane             | Benzol        | Acetone       | Alcohol       |                    |           |
| Resistant       | Limited resistance | Resistant | Resistant    | Resistant | Limited resistance | Not resistant | Not resistant | Not resistant | Limited resistance | Resistant |

#### DIMENSIONAL



#### TECHNICAL SYMBOLOGY

**IP**

IP55



II

**IK**

IK07

**GWT**

650 °C



70 °C

#### STANDARDS/APPROVALS



GEWISS S.p.A. Via A. Volta, 1  
24069 Cenate Sotto - Bergamo - Italy  
tel. +39 035 94 61 11 fax +39 035 94 69 09

www.gewiss.com  
sat@gewiss.com  
Last update 19/10/2019

Data, measures, designs and pictures are shown only as informativ purposes, and could be changed without previous notice