

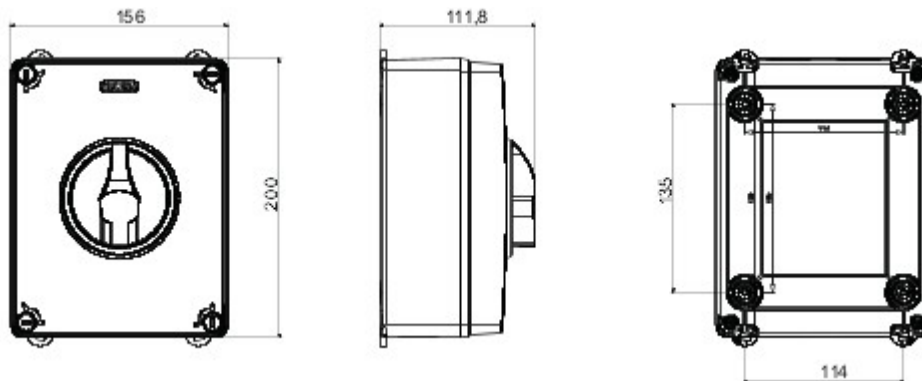


70 RT HP is a new range of 16A to 160A switch disconnectors in isolating material and metal, supplied in a box. Available in control and emergency versions, the range is completed by board versions for front-panel or DIN rail assembly, in 16 to 63A options, all of which can be equipped with auxiliary contacts. These devices have been designed to deliver the ultimate in reliability, functionality and performance. They offer a technologically advanced solution that simplifies installation, reduces wiring times and ensures maximum safety and robustness, even in the most demanding conditions, thanks to the use of high-performance materials.

Version	Box	Material	Insulation
Type	For emergency	Rated current (A)	80
Circuit breaker	Rotary isolator	IP degree	IP66/IP67/IP69
Shock resistance	IK08	Ambient temperature	-25 +60 °C
Lid screws (no. and type)	4 insul. a 1/4 turn	Holes entry	2 x M25/32 + 2 x M25/32
Lockable	YES (max. 3 locks in OFF)	Complete with	Max. 2 auxiliary contacts
Current in AC22 (415V)	80	Current in AC23 (415V)	80
Cable section	Max 25 mm <sup>2</sup>	Outer dim. LxHxD (mm)	156x200x95
Electrocod	1742		



### DIMENSIONAL



### TECHNICAL SYMBOLOGY

**IP**

**IK**

IP66/IP67/IP69

IK08

### STANDARDS/APPROVALS

