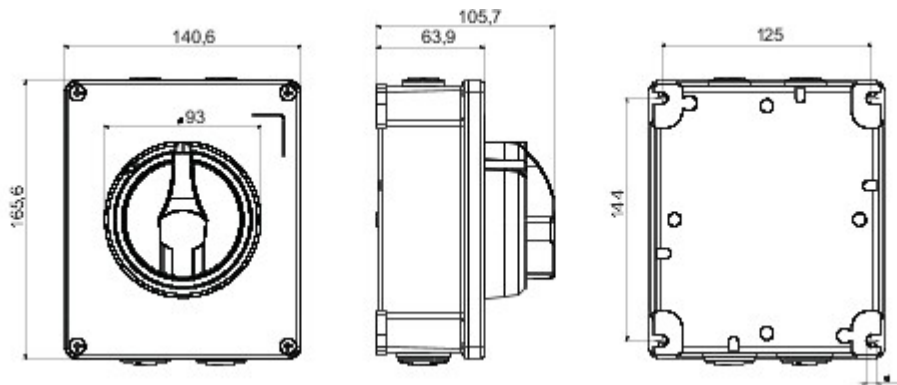


70 RT HP is a new range of 16A to 160A switch disconnectors in isolating material and metal, supplied in a box. Available in control and emergency versions, the range is completed by board versions for front-panel or DIN rail assembly, in 16 to 63A options, all of which can be equipped with auxiliary contacts. These devices have been designed to deliver the ultimate in reliability, functionality and performance. They offer a technologically advanced solution that simplifies installation, reduces wiring times and ensures maximum safety and robustness, even in the most demanding conditions, thanks to the use of high-performance materials.

Version	Box	Material	Metal
Type	For emergency	Rated current (A)	16
Circuit breaker	Rotary isolator	IP degree	IP66
Shock resistance	IK10 (IK08 knob)	Ambient temperature	-25 +60 °C
Lid screws (no. and type)	4 metal screws	Holes entry	4xM20
Lockable	YES (max. 3 locks in OFF)	Complete with	Max. 2 auxiliary contacts
Current in AC22 (415V)		Current in AC23 (415V)	16
Cable section	Max 10 mm ²	Outer dim. LxHxD (mm)	140x165x64
Electrocod	1742		



DIMENSIONAL



TECHNICAL SYMBOLOGY

IP

IP66

IK

IK10 (IK08 knob)

STANDARDS/APPROVALS

