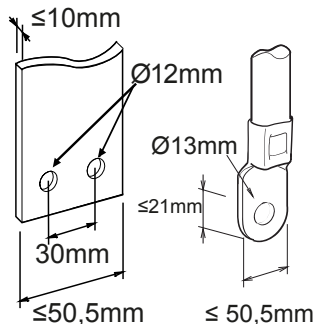




Description Interruttore non automatico scatolato
Code MSXM 1600
Nombre de pôles 4P
Courant nominal 1600 A
Déclencheur -

| ELECTRICAL CHARACTERISTICS | | MECHANICAL CHARACTERISTICS | |
|---|-------------------|-----------------------------------|----------------------------------|
| Norme | IEC/EN 60947-2 | Exécution | Fixe |
| Catégorie d'utilisation | AC-23A, DC-22A | DIN rail mounting | Non |
| Fréquence nominale (Hz) | 50 / 60 | Accessoriabile con comando motore | Si |
| Rated operating voltage (Ue) | 690 Vac - 250 Vdc | Compatible interlock | A filo (meccanismo in dotazione) |
| Tension nominale tenue à l'impulsion (Uimp) | 8 kV | Terminals supplied | RC arrière |
| Catégorie de surtension | IV | Position de montage | Tout |
| Tension d'isolement (Ui) | 800 V | Upline/downline power supply | Si |
| Thermal regulation | - | Electrical life (415Vac) | 2.000 cycles |
| Magnetic regulation | - | Mechanical life | 5.000 cycles |
| Neutral protection | - | Température d'utilisation | -5°C +65°C |
| Total power loss | 225.28 W | Température de stockage | -20° +65° |
| Rated short-circuit current making capacity (Icm) | 45 | Poids (kg) | 32.9 |
| Rated short-time withstand current for 0,3s (Icw) | 20 kA | Largeur | 280 mm |
| I _{dn} regulation | - | Hauteur | 370 mm |
| DT regulation | - | Profondeur | 140 mm |
| SERVICE BREAKING CAPACITY (ICU) | | RATED BREAKING CAPACITY (ICS) | |
| 220/240Vac | - | 220/240Vac | - |
| 400/415Vac | - | 400/415Vac | - |
| 440Vac | - | 440Vac | - |
| 525Vac | - | 525Vac | - |
| 690Vac | - | 690Vac | - |
| 250Vdc | - | 250Vdc | - |

DIMENSIONS





Fiche produit
GWD9458B

Gamme MSX

NORMES ET HOMOLOGATIONS

