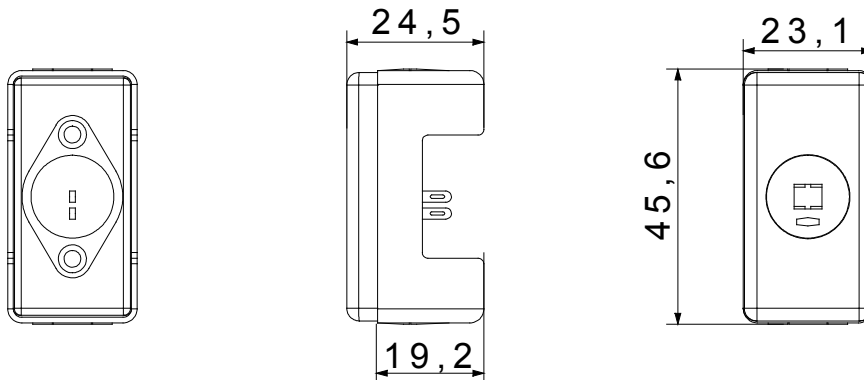




The System modular devices make it possible to create infinite combination between devices and plates, thanks to a complete range that is able to satisfy all design, functional and installation requirements. Colour and finiture: glossy white, bright and versatile
The range includes commands, socket- outlets, protection, indicators, connectors and devices for the control, safety and comfort of your home.

Catégorie	- Description	Pour haut-parleur
Pour broches	- Entraxe	0 mm
Thermopression avec bille	- Test du fil incandescent	0 °C
Capacité de serrage des bornes câbles souples (mm²)	- Capacité de serrage des bornes câbles rigides (mm²)	-
Couleur	Blanc	Nb modules System
Fixation câble	À souder	Matière
Electrocod	3720	Technopolymère
		1

DIMENSIONS



SYMBOLE TECHNIQUE



NORMES ET HOMOLOGATIONS

