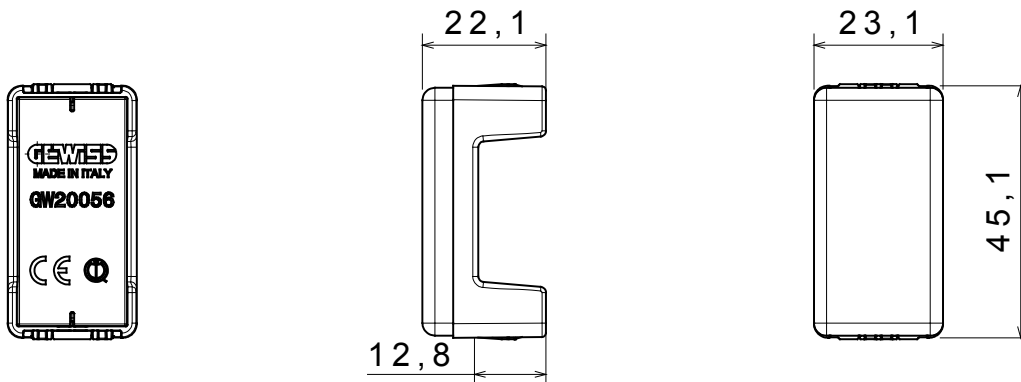




The System modular devices make it possible to create infinite combination between devices and plates, thanks to a complete range that is able to satisfy all design, functional and installation requirements. Colour and finiture: glossy white, bright and versatile
The range includes commands, socket- outlets, protection, indicators, connectors and devices for the control, safety and comfort of your home.

| | | | |
|---------------------------|-------------|--------------------------|----------------|
| Catégorie | Obturbateur | Couleur | Blanc |
| Description | 1 module | Norme | EN 60669-1 |
| Thermopression avec bille | 125 °C | Test du fil incandescent | 850 °C |
| Nb modules System | 1 | Matière | Technopolymère |
| Electrocod | 0100 | | |

DIMENSIONS



SYMBOLE TECHNIQUE



NORMES ET HOMOLOGATIONS

