

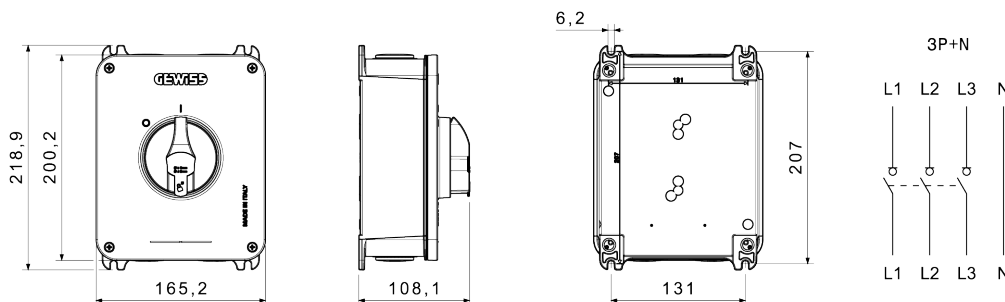


70 RT HP is a complete offer of rotary isolator switches from 16 A to 160 A, available in boxes both in insulating material and aluminium, in control or emergency versions, compatible with the main applications for residential, tertiary and industrial contexts.  
DC versions for photovoltaic applications are also available from 16 A to 40 A in insulating box.  
The series is completed with versions for board from 16 A to 1000 A and for DIN rail fixing from 16 A to 63 A, which can be equipped with auxiliary contacts.  
The devices have been designed to reduce wiring time, facilitate installation and guarantee the maximum safety and robustness even in the most demanding conditions.

#### CARACTERÍSTICAS ELÉCTRICAS

Interruptor	Interruptor rotativo	Versión	Caja
Corriente nominal (A)	40	Material	Aluminio
Nº polos	3P+N	Tipología	Mando
Tensión nominal de aislamiento Ui (Vac)	690	Color maneta	Negro
Corriente en AC21A (415V)	40	Bloqueable	SI (max. 3 candados en ON y OFF)
Corriente en AC22A (415V) (A)	40	Grado de protección	IP66/IP69
Corriente en AC23A (415V) (A)	40	Resistencia a impactos	IK11 (caja); IK08 (mando)
Corriente nominal de cortocircuito condicionada Icc (415 V) (kA)	10	Temperatura de trabajo	-25 +60 °C
Sección cables	1-16 mm <sup>2</sup>	Entradas de cable por el lado superior	2 x M25 + 2 x arandelas M16 máx. (T)
<b>ACCESORIOS</b>		Entradas de cable por el lado inferior	2 x M25 + 2 x arandelas M16 máx. (T)
Tipo accesorios	Máx. 2 contactos auxiliares (1 por lado)	Entradas de cable posteriores	2 x centradores M25 máx.

#### DIMENSIONAL



#### SIMBOLOGÍA TÉCNICA

**IP**

**IK**

IP66/IP69

IK11 (caja); IK08 (mando)

#### MARCAS/APROBACIONES

