



Descripción Interruttore non automatico scatolato
 Código MSXM 1250
 N° polos 4P
 Corriente nominal 1250 A
 Disparador -

ELECTRICAL CHARACTERISTICS

| | |
|---|-------------------|
| Norma de referencia | IEC/EN 60947-2 |
| Categoría de uso | AC-23A, DC-22A |
| Frecuencia nominal (Hz) | 50 / 60 |
| Rated operating voltage (Ue) | 690 Vac - 250 Vdc |
| Tensión nominal de tensión soportada (Uimp) | 8 kV |
| Categoría de sobretensiones | IV |
| Tensión de aislamiento (Ui) | 800 V |
| Thermal regulation | - |
| Magnetic regulation | - |
| Neutral protection | - |
| Total power loss | 281.24 W |
| Rated short-circuit current making capacity (Icm) | 32 |
| Rated short-time withstand current for 0,3s (Icw) | 15 kA |
| I _{dn} regulation | - |
| DT regulation | - |

SERVICE BREAKING CAPACITY (ICU)

| |
|------------|
| 220/240Vac |
| 400/415Vac |
| 440Vac |
| 525Vac |
| 690Vac |
| 250Vdc |

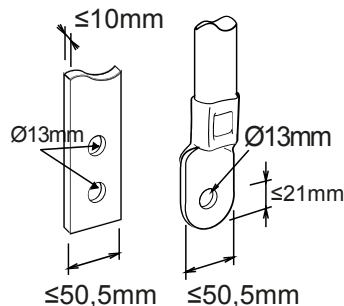
MECHANICAL CHARACTERISTICS

| | |
|----------------------------------|----------------------------------|
| Ejecución | Fijo |
| DIN rail mounting | No |
| Accessorabile con comando motore | Si |
| Compatible interlock | A filo (meccanismo in dotazione) |
| Terminals supplied | RC trasera |
| Posición de montaje | Cualquier |
| Upline/downline power supply | Si |
| Electrical life (415Vac) | 4.000 cycles |
| Mechanical life | 5.000 cycles |
| Temperatura de empleo | -5°C +65°C |
| Temperatura de almacenaje | -20° +65° |
| Peso (kg) | 23.4 |
| Ancho | 280 mm |
| Altura | 370 mm |
| Profundidad | 120 mm |

RATED BREAKING CAPACITY (ICS)

| | |
|------------|---|
| 220/240Vac | - |
| 400/415Vac | - |
| 440Vac | - |
| 525Vac | - |
| 690Vac | - |
| 250Vdc | - |

DIMENSIONAL





Ficha Técnica Producto

GWD9460B

Gama MSX

MARCAS/APROBACIONES

