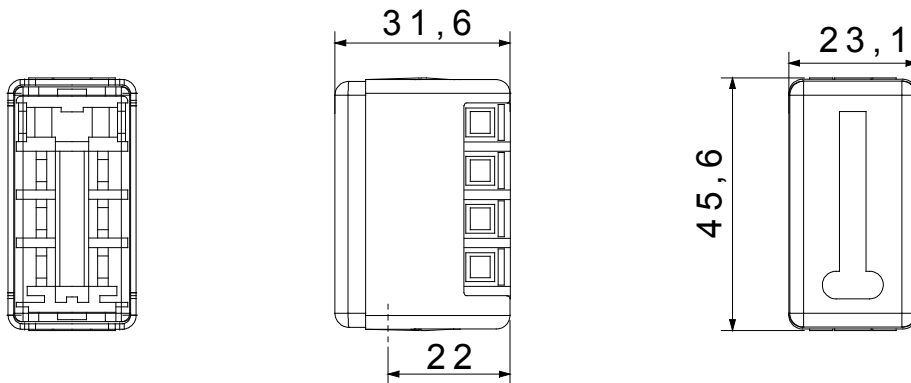




The System modular devices allow the creation of infinite combinations of devices and plates, through a complete range that covers all design, functional and installation needs. Colours and finishes: satin black, elegant and classy. The range includes control units, socket-outlets, breakers, indicators, connectors and devices for the control, safety and comfort of your home.

Categoría	Toma de datos, audio y vídeo	Descripción	Francesa de 8 contactos
Color	Negro	Norma	Francesa
Cable tipo	-	Conexión	Bornes con tornillo
N. módulos System	1	Material	Tecnopolímero
Código Electrocod	3722		

DIMENSIONAL



MARCAS/APROBACIONES

