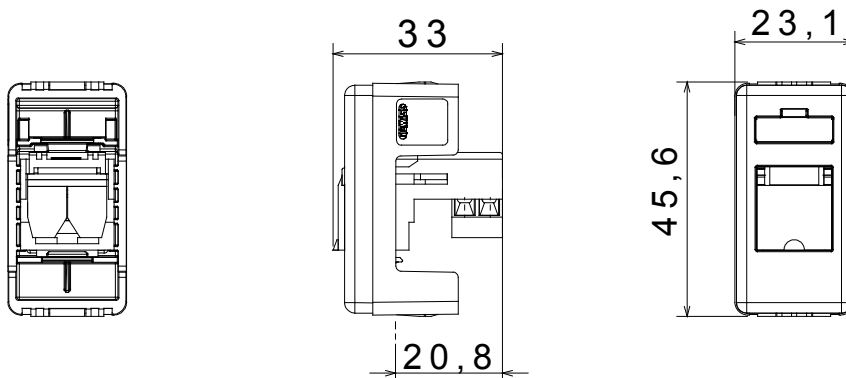




The System modular devices make it possible to create infinite combination between devices and plates, thanks to a complete range that is able to satisfy all design, functional and installation requirements. Colour and finiture: glossy white, bright and versatile
The range includes commands, socket- outlets, protection, indicators, connectors and devices for the control, safety and comfort of your home.

Categoría	Toma de datos, audio y vídeo	Descripción	RJ11
Color	Blanco	Norma	-
Cable tipo	Par Trenzado	Conexión	Bornes con tornillo
N. módulos System	1	Material	Tecnopolímero
Código Electrocod	3721		

DIMENSIONAL



MARCAS/APROBACIONES

