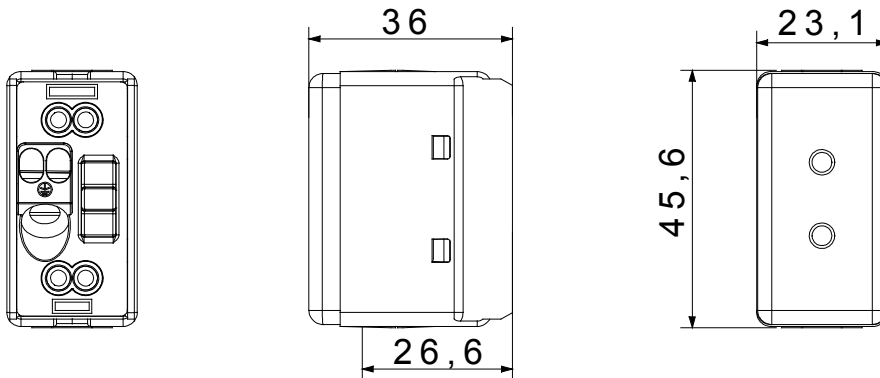




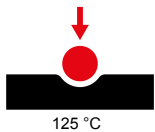
The System modular devices make it possible to create infinite combination between devices and plates, thanks to a complete range that is able to satisfy all design, functional and installation requirements. Colour and finiture: glossy white, bright and versatile
The range includes commands, socket- outlets, protection, indicators, connectors and devices for the control, safety and comfort of your home.

Categoría	-	Descripción	2P - 6A - 24V
Para clavijas	Ø 3 mm	Ejes	12.4 mm
Termopresión con bola	125 °C	Capacidad de apriete cable flexible (mm ²)	min. 0,75 - max. 2x4
Capacidad de apriete cable rígido (mm ²)	min. 0,5 - max. 2x2,5	Color	Blanco
N. módulos System	1	Fijación de cable	De tornillo
Material	Tecnopolímero	Código Electrocod	0131

DIMENSIONAL



SIMBOLOGÍA TÉCNICA



MARCAS/APROBACIONES

