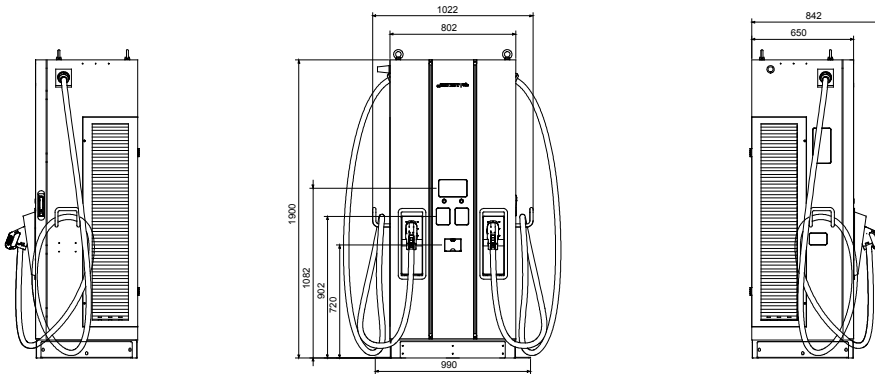




I-FAST products are JOINON's DC fast-charging solutions ideal for charging all types of electric vehicles equipped with high-voltage systems in private or public high-rotation parking lots, highways and service areas. The offer consists of wallboxes up to 30 kW and stations up to 180 kW. They feature an elegant design and finishes that make them an urban and extra-urban furnishing product, with a graphic display for a better User Experience and use of services for the EV Driver user.

Power specification - AC input		Environmental	
Input voltage	3 Φ 380 ± 415 V ac	Operating temperature	-30°C ± +50°C
AC input connection	3P+N+PE (Wye configuration), TN/TT	Humidity	5% ± 95% RH, Non-Condensing
Max input current	3 Φ 289 A	Altitude	≤ 2.000 m
Frequency	50 Hz / 60 Hz	IP degree	IP55
Power factor	> 0.99	Mechanical resistance	IK10 (not including screen & RFID module)
Efficiency	>94%	Cooling method	Fan cooling
Power specification - DC output		Mechanical	
Output voltage range	CCS2: 150 ± 950 V dc	Dimension	800 mm x 650 mm x 1.900 mm
Max output current	CCS2: 250A	Weight	≤460 kg
Maximum output power	150 kW	Cable length	4.5 m
Voltage/Current accuracy	±2%	Protection	
User interface & control		Input protection	
Display	7" LCD	OVP, OCP, OPP, OTP, UVP, RCD, SPD	
Push buttons	Operation Buttons / Emergency Stop Button	Output protection	
User Authentication	RFID: support ISO 14443A/B, ISO 15693, FeliCa Lite-S (RCS966), OCPP 1.6 JSON, QR Code, App	SCP, OCP, OVP, LVP, OTP, IMD	
Meter		Regulation	
	DC PTB Meter	Accessibility	PAS1899:2022, subclause 5.2, Table 2, "Height range requirements" (refer to manual for more details)
Communication		Safety	
External	Ethernet, Wi-Fi and 4G	CE, CB	
Internal	CAN bus / RS485	Certificate	IEC 61851-1, IEC 61851-23, IEC 61851-21-2
Contactless Solution		Charging interface	DIN 70121, ISO 15118-2
Payment terminal	Yes, Payter Apollo Polar	National directives	UK Public CP Regulation 2023 (manufacturer requirements)

DIMENSIONAL



TECHNICAL SYMBOLOGY

IP55
IK10 (not including screen & RFID module)

www.gewiss.com
sat@gewiss.com
Last update 24/06/2026

Data, measures, designs and pictures are shown only as informative purposes, and could be changed without previous notice

GEWISS S.p.A. Via A. Volta, 1
24069 Cenate Sotto - Bergamo - Italy
tel. +39 035 94 61 11 fax +39 035 94 69 09
Company subject to the management and coordination of Polifin S.p.A.

STANDARDS/APPROVALS



GEWISS S.p.A. Via A. Volta, 1
24069 Cenate Sotto - Bergamo - Italy
tel. +39 035 94 61 11 fax +39 035 94 69 09
Company subject to the management and
coordination of Polifin S.p.A.

www.gewiss.com
sat@gewiss.com
Last update 24/06/2026

Data, measures, designs and pictures are shown
only as informative purposes,
and could be changed without previous notice