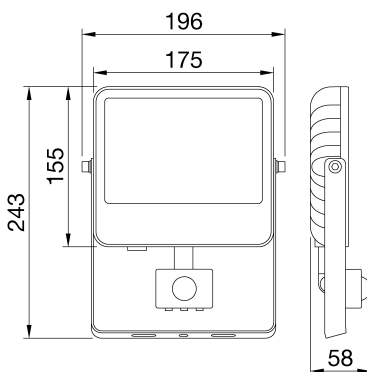




ELIA FL Mini is a low-power LED floodlight for indoor and outdoor architectural lighting for both residential and professional applications, such as façades, gardens, green areas and walkways. Available in 2 sizes and 3 power steps (10 W, 20 W and 30 W), the range allows for great flexibility with its multiple possible combinations: 2 colour temperature options (3,000 K warm white and 4,000 K neutral white) with a colour rendering index of more than 80, and 2 optics options (100° or asymmetrical). The fixture is equipped with an integrated On/Off electronic power supply, and it is also available with an integrated motion and luminosity sensor. The luminaire can be ceiling, wall or floor-mounted through the integrated adjustable steel bracket, and thanks to its black powder-coated die-cast aluminium body and its front glass, it is tough, durable and able to withstand harsh environmental conditions.

| GENERAL INFORMATION                     |  | OPTIC AND ILLUMINATING FEATURES     |  |
|---|--|-------------------------------------|--|
| Context                                 | Residential facades, outdoor areas and garden lighting | Optic                               | Asymmetrical                                     |
| Luminaire                               | Low-power LED floodlight with built-in sensor          | Unified Glare Rating                | ULOR = 0%  |
| Application                             | Indoor / Outdoor                                       | Lumen output (lm)                   | 3600   |
| Unique digital code (Datamatrix)        | Currently not present                                  | Efficacy (lm/W)                     | 120  |
| Colour                                  | Black  | Colour temperature                  | 3000 K   |
| Type of light source                    | LED  | Colour Rendering Index              | CRI 80   |
| System power                            | 30 W   | Standard Deviation Colour Matching  | SDCM = 5   |
| LED Lifetime                            | L80B50 (Tq=25°C) > 90.000 h                            | Photobiological Risk Class          | RG1  |
| Weight (kg)                             | 1.1  | Standard                            | EN 60598-1; EN 60598-2-5; IEC/TR 62778; EN 62493 |
| Warranty                                | 3 years  | ELECTRICAL AND LIGHTING FEATURES    |  |
| Stocking temperature                    | -40° +80°  | Supply voltage                      | 220-240 V  |
| Operating temperature                   | -20 +40 °C   | Rated frequency (Hz)                | 50/60 Hz   |
| MATERIALS                               |  | Driver                              | Built-in   |
| Body                                    | Die-cast aluminium                                     | Driver failure rate                 | F10 (Tq=25°C) > 80.000 h                         |
| Shield type                             | Tempered 4mm-thick surface glass with Gewiss logo      | Overvoltage protection              | DM 1KV / CM 2KV                                  |
| Optic                                   | High-efficiency lens and reflector unit                | Control System                      | PIR Sensor                                       |
| Gasket                                  | -  | INSTALLATION AND MAINTENANCE        |  |
| Locking Hook                            | -  | Mounting and installation           | Ceiling - Wall - Floor                           |
| External screw                          | Stainless steel  | Tilt                                | Rotation on bracket                              |
| Colour                                  | Powder coating   | Wiring                              | With power cable                                 |
| STANDARDS AND APPROVALS                 |  | Fixing                              | Via integrated bracket                           |
| Classification                          | -  | Light source replaceability         | Non-replaceable                                  |
| Device with reduced surface temperature | -  | Controlgear replaceability          | Non-replaceable                                  |
| DIN 18032-3 certification               | Not available  | Driver Box                          | Built-in   |
| IPEA                                    | Green Areas A3+  | Maximum surface exposed to the wind | 0,04 m2  |
| Insulation class                        | I  |                                     | -  |
| IP degree                               | IP65   |                                     | -  |
| Mechanical resistance                   | IK08   |                                     | -  |
| Glow Wire Test                          | 750 °C   |                                     | -  |

### DIMENSIONAL



### PHOTOMETRIC DISTRIBUTION

### TECHNICAL SYMBOLOGY





Product Data Sheet  
**GWF1105CC830**

ELIA FL Mini

STANDARDS/APPROVALS

