



ELIA FL Mini is a low-power LED floodlight for indoor and outdoor architectural lighting for both residential and professional applications, such as façades, gardens, green areas and walkways. Available in 2 sizes and 3 power steps (10 W, 20 W and 30 W), the range allows for great flexibility with its multiple possible combinations: 2 colour temperature options (3,000 K warm white and 4,000 K neutral white) with a colour rendering index of more than 80, and 2 optics options (100° or asymmetrical). The fixture is equipped with an integrated On/Off electronic power supply, and it is also available with an integrated motion and luminosity sensor. The luminaire can be ceiling, wall or floor-mounted through the integrated adjustable steel bracket, and thanks to its black powder-coated die-cast aluminium body and its front glass, it is tough, durable and able to withstand harsh environmental conditions.

GENERAL INFORMATION

| | |
|----------------------------------|--|
| Context | Residential facades, outdoor areas and garden lighting |
| Luminaire | Low-power LED floodlight |
| Application | Indoor / Outdoor |
| Unique digital code (Datamatrix) | Currently not present |
| Colour | Black |
| Type of light source | LED |
| System power | 30 W |
| LED Lifetime | L80B50 (Tq=25°C) > 90.000 h |
| Weight (kg) | 0.9 |

| | |
|-----------------------|-----------|
| Warranty | 5 years |
| Stocking temperature | -40° +80° |
| Operating temperature | -30° +50° |

MATERIALS

| | |
|-------------|---|
| Body | Die-cast aluminium |
| Shield type | Tempered 4mm-thick surface glass with Gewiss logo |

| | |
|----------------|---|
| Optic | High-efficiency lens and reflector unit |
| Gasket | - |
| Locking Hook | - |
| External screw | Stainless steel |
| Colour | Powder coating |

STANDARDS AND APPROVALS

| | |
|---|-----------------|
| Classification | - |
| Device with reduced surface temperature | - |
| DIN 18032-3 certification | Not available |
| IPEA | Green Areas A4+ |
| Insulation class | I |
| IP degree | IP66 |
| Mechanical resistance | IK08 |
| Glow Wire Test | 750 °C |

OPTIC AND ILLUMINATING FEATURES

| | |
|------------------------------------|--|
| Optic | Asymmetrical |
| Unified Glare Rating | ULOR = 0% |
| Lumen output (lm) | 3700 |
| Efficacy (lm/W) | 123 |
| Colour temperature | 4000 K |
| Colour Rendering Index | CRI 80 |
| Standard Deviation Colour Matching | SDCM = 5 |
| Photobiological Risk Class | RG1 |
| Standard | EN 60598-1; EN 60598-2-5; IEC/TR 62778; EN 62493 |

ELECTRICAL AND LIGHTING FEATURES

| | |
|------------------------|--------------------------|
| Supply voltage | 220-240 V |
| Rated frequency (Hz) | 50/60 Hz |
| Driver | Built-in |
| Driver failure rate | F10 (Tq=25°C) > 80.000 h |
| Overvoltage protection | DM 1KV / CM 2KV |

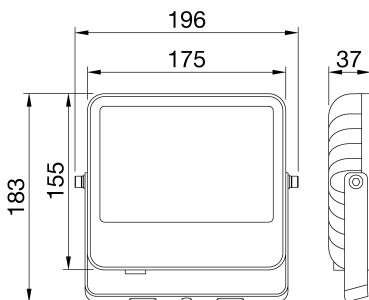
CONTROL SYSTEM

| | |
|----------------|----------|
| Control System | ON / OFF |
|----------------|----------|

INSTALLATION AND MAINTENANCE

| | |
|-------------------------------------|------------------------|
| Mounting and installation | Ceiling - Wall - Floor |
| Tilt | Rotation on bracket |
| Wiring | With power cable |
| Fixing | Via integrated bracket |
| Light source replaceability | Non-replaceable |
| Controlgear replaceability | Non-replaceable |
| Driver Box | Built-in |
| Maximum surface exposed to the wind | 0,03 m2 |

DIMENSIONAL



PHOTOMETRIC DISTRIBUTION

TECHNICAL SYMBOLOGY



IP
IP66

IK
IK08

GWT
750 °C



Product Data Sheet
GWF1100CC840

ELIA FL Mini

STANDARDS/APPROVALS

