



High-power LED streetlight with cover, frame, and pole attachment in EN AB 46100 die-cast aluminium with low copper content, with polyester powder coating. Suitable for installation both on top of the pole and offset, with 5° pitch adjustment. Opening and closing system with integrated front handle. Closure fabricated in tempered flat glass (thickness 4 mm). Cable input via PG13.5. Safety switch. Cable plate in PA6.6+PV. Printed Circuit Board (PCB) in metal core. Metallic PC optic system. Common mode surge protection up to 10 kV. Operational up to 50°C ambient temperature but with reduction of the supply current as indicated in the Instruction Manual.

GENERAL INFORMATION

| | |
|----------------------------------|-----------------------------|
| Context | Street and parking lighting |
| Luminaire | LED Road Equipment |
| Application | External |
| Unique digital code (Datamatrix) | Currently not present |

| | |
|-----------------------|---|
| Colour | Graphite grey |
| Type of light source | LED |
| System power | 51 W @ 0,7A |
| LED Lifetime | L90B10(Tq25°C)>115.000h; L90B10 (Tq50°C)=115.000h |
| Weight (kg) | 6.6 |
| Warranty | 5 years |
| Stocking temperature | - |
| Operating temperature | -25 +50 °C |

| | |
|------------------|--------------------------------|
| MATERIALS | |
| Body | Die-cast aluminium |
| Shield type | 4mm thick flat tempered glass |
| Optic | Silver PVD aluminium reflector |
| Gasket | Anti-aging silicone |
| Locking Hook | Integrated front handle |
| External screw | Stainless steel |

| | |
|---|----------------|
| Colour | Powder coating |
| STANDARDS AND APPROVALS | |
| Classification | - |
| Device with reduced surface temperature | - |
| DIN 18032-3 certification | Not available |
| IPEA | - |
| Insulation class | I |
| IP degree | IP66 |
| Mechanical resistance | IK08 |
| Glow Wire Test | - |

OPTIC AND ILLUMINATING FEATURES

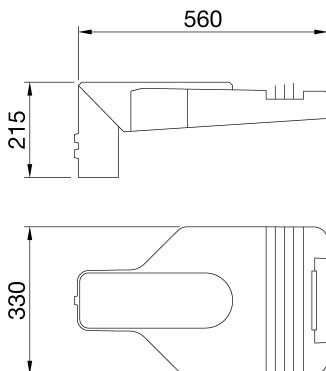
| | |
|------------------------------------|----------------|
| Optic | WIDE |
| Unified Glare Rating | G*4 - ULOR = 0 |
| Lumen output (lm) | 6400 |
| Efficacy (lm/W) | 125 |
| Colour temperature | 3000 K |
| Colour Rendering Index | CRI>70 |
| Standard Deviation Colour Matching | SDCM = 5 |
| Photobiological Risk Class | RG0 |

| | |
|--|---------------------------------------|
| Standard | EN 60598-2-3, EN 60598-1 IEC/TR 62778 |
| ELETRICAL AND LIGHTING FEATURES | |
| Supply voltage | 220 - 240 V |
| Rated frequency (Hz) | 50 / 60 |
| Driver failure rate | F10=100.000h Tq25°C/75.000h Tq50°C |
| Driver | Included |
| Overvoltage protection | DM 10KV / CM 10KV |
| Control System | Dimmable 1-10 V |

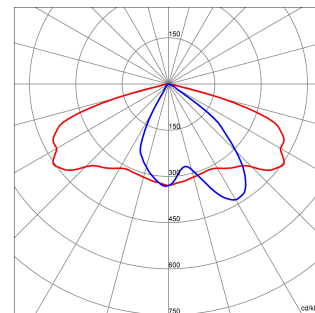
INSTALLATION AND MAINTENANCE

| | |
|-------------------------------------|--|
| Mounting and installation | Pole Head - Outreach |
| Tilt | -20° + +10° side bracket - -10° + +20° pole head |
| Wiring | Isolating switch |
| Fixing | Pole Head - Outreach |
| Light source replaceability | By professional |
| Controlgear replaceability | By professional |
| Driver Box | Built-in |
| Maximum surface exposed to the wind | 0.15 m² |

DIMENSIONAL



PHOTOMETRIC DISTRIBUTION



TECHNICAL SYMBOLOGY



IP
IP66

IK
IK08

GWT
-



Product Data Sheet

GWR5772M30K

ROAD [5] Range

STANDARDS/APPROVALS

